



Shipham Valves

ESTABLISHED 1798

a Wärtsilä company



The World's Preferred Partner for Corrosion Resistant Valve Solutions

Offshore Oil & Gas

FPSO / FSO

Petro-Chemical

Power Generation

LNG

Naval Marine





Shipham Valves

ESTABLISHED 1798

a Wärtsilä company

The World's Preferred Valve Solutions Partner

Shipham Valves is one of the longest established and most highly respected valve manufacturers in the world, with a global reputation for excellence in product design, quality, reliability and the highest levels of customer service.

Since the 1930s, Shipham Valves has been a key manufacturer of valves for the British Royal Navy and the Ministry of Defence. In a market known for its arduous demands for product performance and reliability, quality assurance, traceability, certification and documentation, we have built an unrivalled reputation for excellence.

Serving a Diverse Global Marketplace

Valves manufactured by Shipham are widely used in flow control applications across a diverse range of industries – Offshore and Onshore Oil and Gas, Refining and Petrochemical Processing, LNG Liquefaction and Re-gasification, Power Generation, Desalination and Naval Marine.

A Complete Range of Valve Solutions

Shipham Valves offers a diverse range of valves by type, material, and size, providing gate, globe, check (swing and wafer style), ball, Y-type strainers and butterfly valves, in sizes from 1/4" to 88" in non-ferrous, composite and high alloy materials.

All valves are manufactured and tested in accordance with internationally recognised standards, including ASME, ANSI, API, MSS, BS EN ISO, DIN and JIS.

Specialty Materials - 'Our Standard'

- Ni Aluminium Bronze
- Bronze
- Hastelloy®
- Titanium
- Monel®
- Zirconium
- Inconel®
- Alloy 20
- 6Mo
- Duplex
- Glass Reinforced Epoxy (GRE)



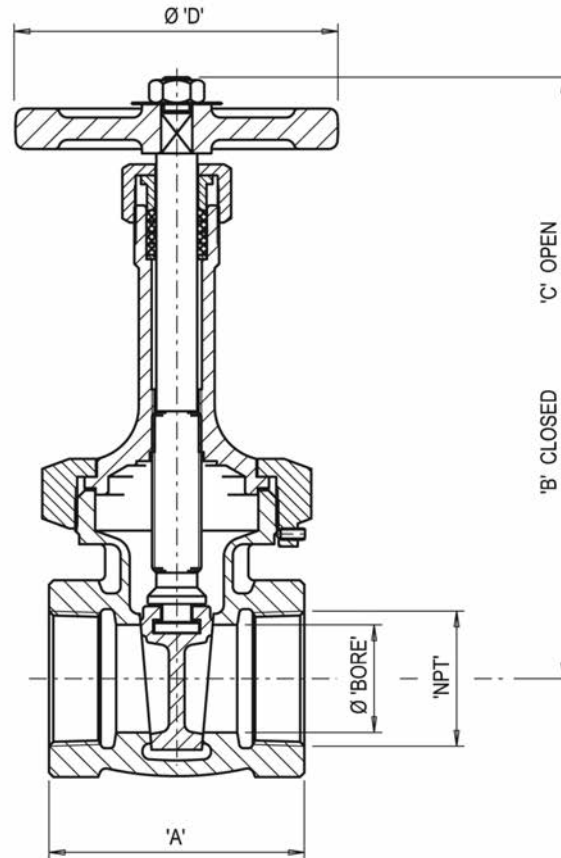


Gate Valves

Valve Configurations							
No.	Bonnet Design	Screw Type	Handwheel Design	End Connection	Size Range	Pressure Rating	Materials Available
GA01	Union	Inside	Rising	Screwed Female or Socket Weld	DN8 – DN80 / ½" – 3"	Class 150 / PN32	A B D E G H J
GA02	Union	Inside	Rising	Flanged ASME B16.5 (Flat or Raised Face)	DN15 – DN80 / ½" – 3"	Class 150	A B D E G H J
GA03	Bolted	Outside	Rising	Flanged ASME B16.5 (Flat or Raised Face)	DN15 – DN100 / ½" – 4"	Class 150	A B D E G H J
GA05	Bolted	Outside Screw & Yoke	Rising	Flanged ASME B16.5 (Flat or Raised Face) or ASME B16.47 (Flat or Raised Face)	DN50 – DN1050 / 2" – 42"	Class 150	A B K L M N P Q R T Z
GA09	Bolted	Outside	Rising	Screwed Female or Socket Weld	DN15 – DN100 / ½" – 4"	PN25 / Class 150	C D E F G H J
GA31	Union	Inside	Rising	Screwed Female or Socket Weld	DN8 – DN80 / ½" – 3"	Class 300	A B G H
GA33	Bolted	Outside	Rising	Flanged ASME B16.5 (Flat or Raised Face)	DN15 – DN80 / ½" – 3"	Class 300	A B G H J
GA35	Bolted	Outside Screw	Rising	Flanged ASME B16.5 (Flat or Raised Face)	DN50 – DN800 / 2" – 32"	Class 300	A B K L M N P Q R T Z

Materials of Construction			
Code	Body / Bonnet	Disc	Stem
A	Nickel Aluminium Bronze	Nickel Aluminium Bronze	Nickel Aluminium Bronze
B	Nickel Aluminium Bronze	Alloy 400	Alloy 400 / Alloy K500
C	Bronze ASTM B62	Bronze ASTM B62	Nickel Aluminium Bronze
D	Bronze ASTM B62	Nickel Aluminium Bronze	Nickel Aluminium Bronze
E	Bronze ASTM B62	Alloy 400	Alloy 400 / Alloy K500
F	Bronze ASTM B61	Bronze ASTM B61	Nickel Aluminium Bronze
G	Bronze ASTM B61	Nickel Aluminium Bronze	Nickel Aluminium Bronze
H	Bronze ASTM B61	Alloy 400	Alloy 400 / Alloy K500
J	Phosphor Bronze	Phosphor Bronze	Phosphor Bronze
K	Alloy 400	Alloy 400	Alloy 400 / Alloy K500
L	Titanium	Titanium	Titanium
M	Alloy 20	Alloy 20	Alloy 20
N	Alloy 625	Alloy 625	Alloy 625
P	6Mo Stainless Steel	6Mo Stainless Steel	6Mo Stainless Steel
Q	Duplex Stainless Steel	Duplex Stainless Steel	Duplex Stainless Steel
R	Nickel Moly Alloy B&C	Nickel Moly Alloy B&C	Nickel Moly Alloy B&C
T	Alloy 825	Alloy 825	Alloy 825
Z	Zirconium	Zirconium	Zirconium



GA01 Gate Valve**Class 150 / PN32****DN8 - DN80 / 0.25" - 3"**

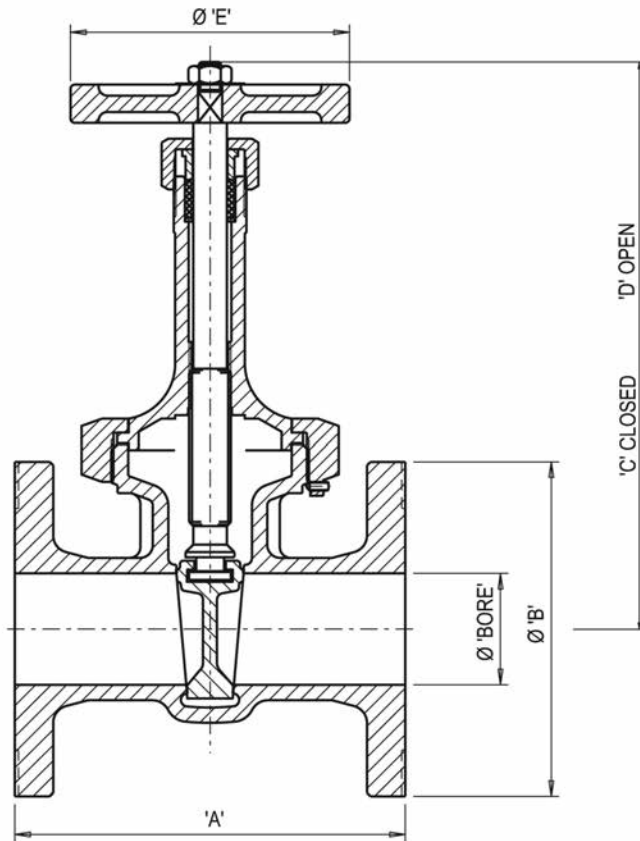
VALVE SIZE	BORE	NPT	A	B	C	D	*WEIGHT(KG)
DN8 (1/4")	12.7	1/4"	74	116	132	64	0.8
DN10 (3/8")	12.7	3/8"	74	116	132	64	0.8
DN15 (1/2")	12.7	1/2"	60	116	132	64	0.8
DN20 (3/4")	19.1	3/4"	70	140	162	76	1.2
DN25 (1")	25.4	1"	76	162	192	83	1.7
DN40 (1 1/2")	38.1	1 1/2"	91	216	260	114	3.4
DN50 (2 ")	50.8	2 "	102	259	316	127	5.3
DN65 (2 1/2")	63.5	2 1/2"	127	337	409	127	9
DN80 (3")	76.2	3"	146	364	450	178	11

Design Standards MSS SP80 / BS 5154 / BS EN 12288
 End Connection Screwed Female or Socket Weld
 NPT to ASME B1.20.1

Description Union Bonnet
 Inside Screw
 Rising Stem and Handwheel
 Integral Seat
 Solid Wedge
 Handwheel Operated
 Graphite Packing Materials

Pressure Testing API 598 / BS EN 12266-1
 OMI 1.2
 Optional Extras Locking Device
 Painting
 Tagging / Marking

*Weight applies to Ni Aluminium Bronze Valves only.
 For other materials please contact Shipham Sales Dept.

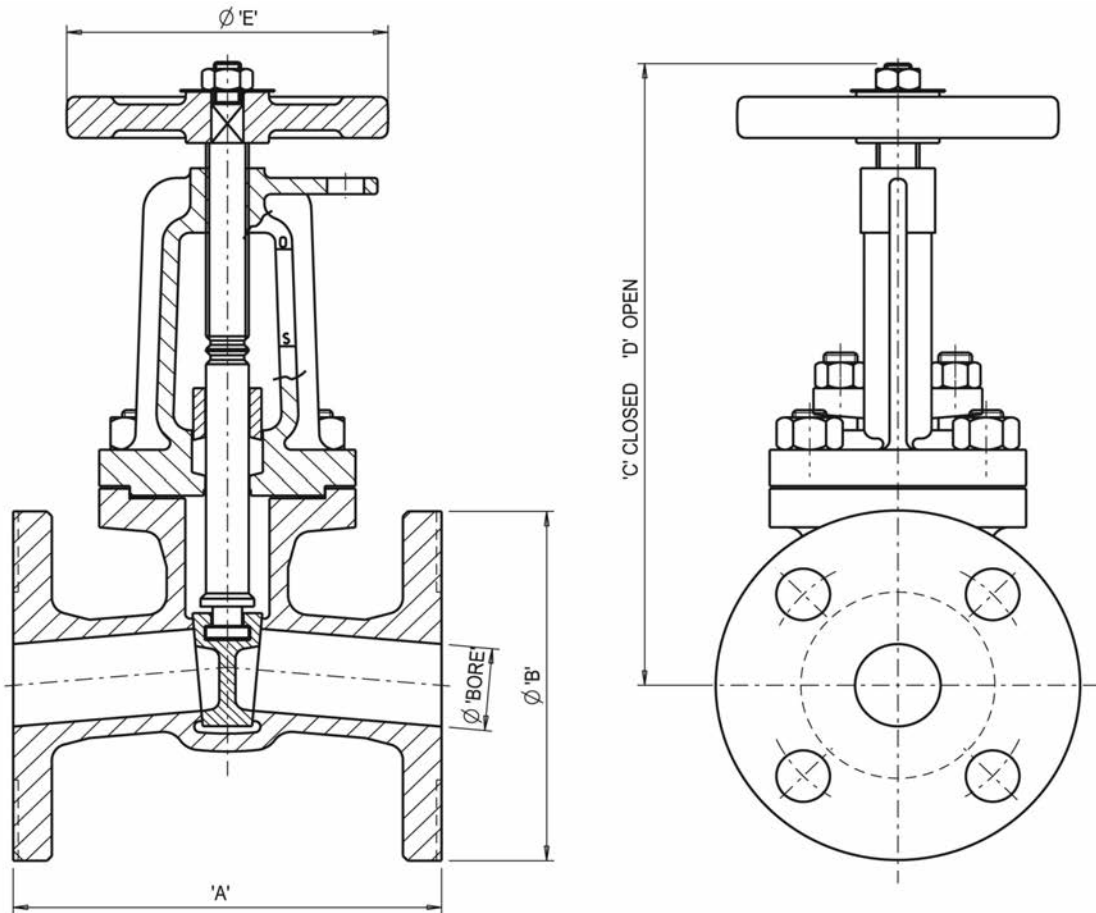
GA02 Gate Valve**Class 150****DN15 - DN80 / 0.5" - 3"**

VALVE SIZE	BORE	A	B	C	D	E	*WEIGHT(KG)
DN15 (1/2")	19.0	108	89	145	167	76	2.4
DN20 (3/4")	19.0	117	98	145	167	76	2.8
DN25 (1")	25.4	127	108	169	198	83	4
DN40 (1 1/2")	38.1	165	127	213	260	114	6.8
DN50 (2")	50.8	178	152	258	316	127	10.5
DN65 (2 1/2")	63.5	190	178	300	370	150	16
DN80 (3")	80.0	203	190	390	475	178	21

Design Standards MSS SP80 / BS 5154 / BS EN 12288
 End Connection Flanged ASME B16.5 (Flat or Raised Face)
 Face to Face ASME B16.10
 Description Union Bonnet
 Inside Screw
 Rising Stem and Handwheel
 Integral Seat
 Solid Wedge
 Handwheel Operated
 Graphite Packing Materials

Pressure Testing API 598 / BS EN 12266-1
 OMI 1.2
 Optional Extras Locking Device
 Painting
 Tagging / Marking

*Weight applies to Ni Aluminium Bronze Valves only
 For other materials please contact Shipham Sales Dept.

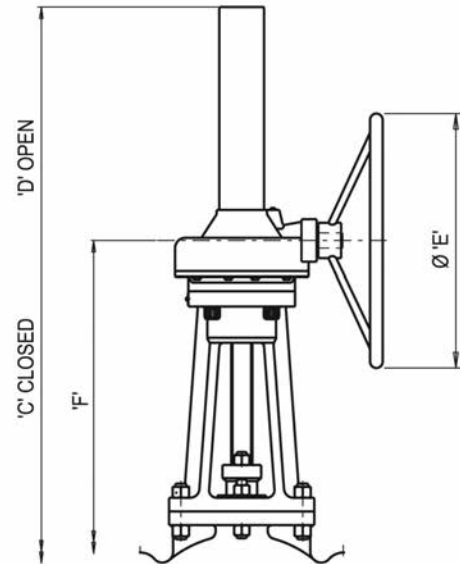
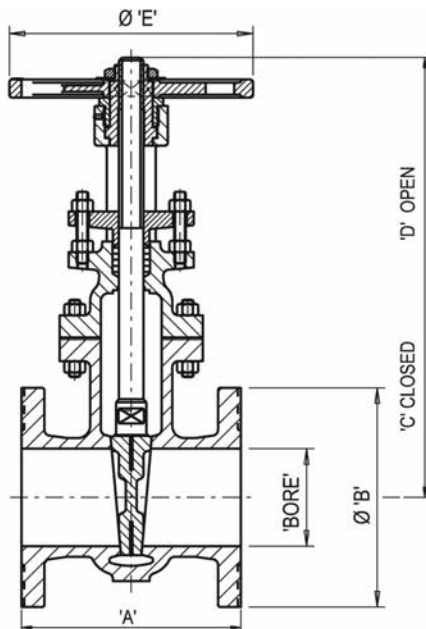
GA03 Gate Valve**Class 150****DN15 - DN100 / 0.5" - 4"**

VALVE SIZE	BORE	A	B	C	D	E	*WEIGHT(KG)
DN15 (1/2")	19.1	108	89	167	190	76	3
DN20 (3/4")	19.1	117	98	167	190	76	3.5
DN25 (1")	25.4	127	108	194	224	89	4.5
DN40 (1 1/2")	38.1	165	127	240	284	114	7.6
DN50 (2")	50.8	178	152	270	325	127	11.8
DN65 (2 1/2")	63.5	190	178	300	375	159	15
DN80 (3")	80.0	203	190	397	484	203	22
DN100 (4")	100.0	229	230	530	642	254	40

Design Standards MSS SP80 / BS 5154 / BS EN 12288
 End Connection Flanged ASME B16.5 (Flat or Raised Face)
 Face to Face ASME B16.10
 Description Bolted Bonnet
 Outside Screw
 Rising Stem and Handwheel
 Integral Seat
 Solid Wedge
 Handwheel Operated
 Open and Close Indicator

Pressure Testing API 598 / 1BS EN 12266-1
 OMI 1.5
 Optional Extras Locking Device
 Painting
 Tagging / Marking
 Various Bolting Materials
 Various Packing and Joint Materials
 Actuation

*Weight applies to Ni Aluminium Bronze Valves only.
 For other materials please contact Shipham Sales Dept.

GA05 Gate Valve**Class 150****DN50 - DN1050 / 2" - 42"**

VALVE SIZE	BORE	A	B	C	D	E	F	*WEIGHT(KG)
DN50 (2")	50.8	178	150	320	384	178	-	26
DN65 (2 1/2")	63.5	190	180	338	411	178	-	32
DN80 (3")	76.2	203	190	374	464	229	-	36
DN100 (4")	101.6	229	230	457	572	254	-	48
DN150 (6")	152.4	267	280	610	781	356	-	79
DN200 (8")	203.2	292	345	814	1024	406	-	115
DN250 (10")	254.0	330	405	980	1245	470	-	220
DN300 (12")	304.8	356	485	1166	1491	470	-	340
DN350 (14")	336.6	381	535	1705	1705	600	1245	425
DN400 (16")	387.0	407	595	1838	1838	600	1400	600
DN450 (18")	438.0	432	635	2040	2040	600	1551	650
DN500 (20")	488.0	457	700	2285	2285	700	1745	750
DN600 (24")	590.0	508	815	2660	2660	800	2021	1100
DN700 (28")	686.0	610	925	3480	3480	914	2822	2200
DN800 (32")	787.0	660	1060	3461	3461	1000	2585	3200
DN900 (36")	876.0	711	1170	3924	3924	1000	2840	4100
DN1000 (40")	977.9	813	1290	4844	4844	900	3582	5000
DN1050 (42")	1020.0	813	1345	5030	5030	1200	3561	5400

Design Standards API 600, ISO 10434, BS1414
 End Connection Flanged ASME B16.5 or ASME B16.47
 (Flat or Raised Face)

Face to Face ASME B16.10
 Description Bolted Bonnet
 Outside Screw & Yoke
 Rising Stem
 Non-Rising Handwheel
 Integral Seat
 Solid Wedge
 Handwheel Operated

Pressure Testing API 598 / BS EN 12266-1
 OMI 1.5

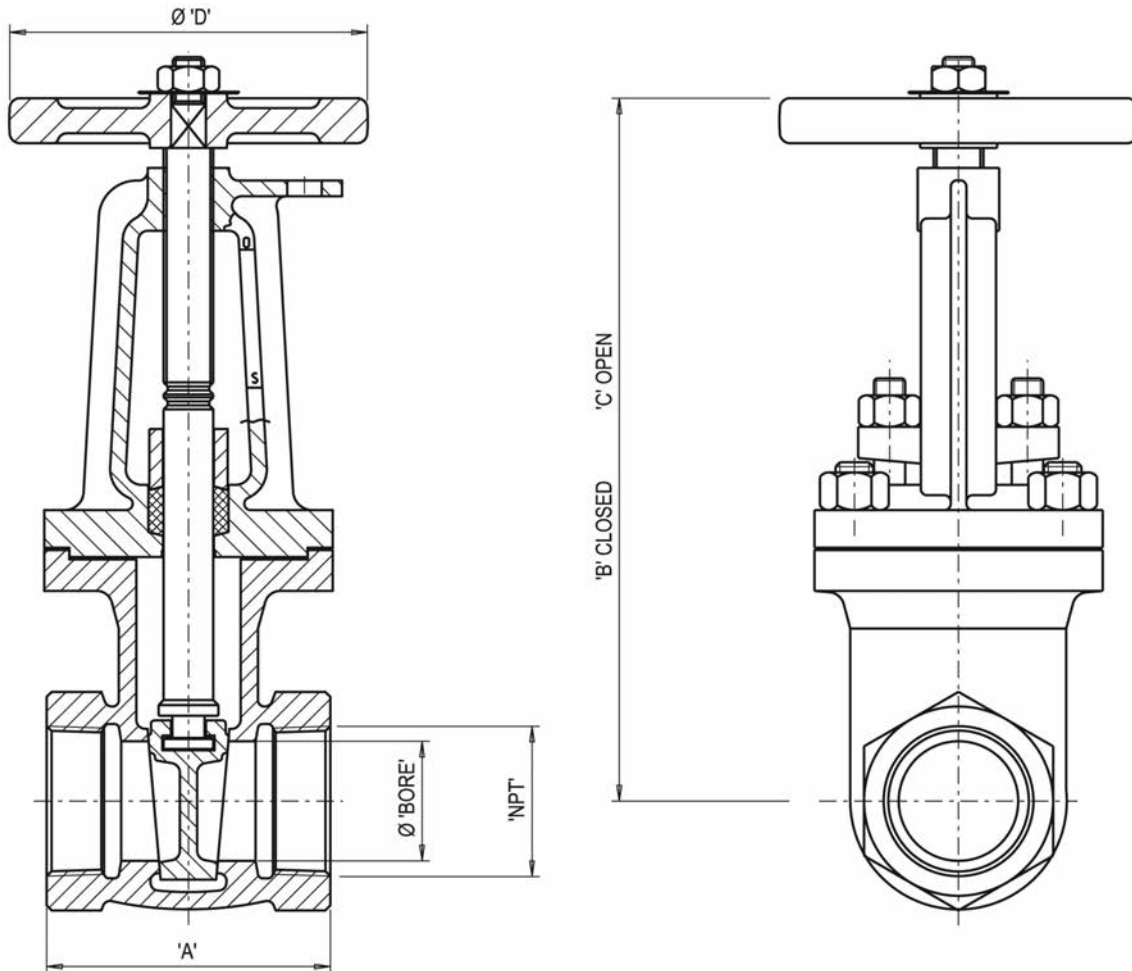
Optional Extras Locking Device
 Painting
 Tagging / Marking
 Open and Close Indicator
 Renewable Seats
 Flexible Wedge 3" / DN80 and above
 Various Bolting Materials
 Various Packing & Gasket Materials
 Actuation
 Extension Pedestal Assembly for Underground Operation

* Weight applies to Ni Aluminium Bronze Valves only.
 For other materials please contact Shipham Sales Dept.

GA09 Gate Valve

PN25 / Class 150

DN15 - DN100 / 0.5" - 4"

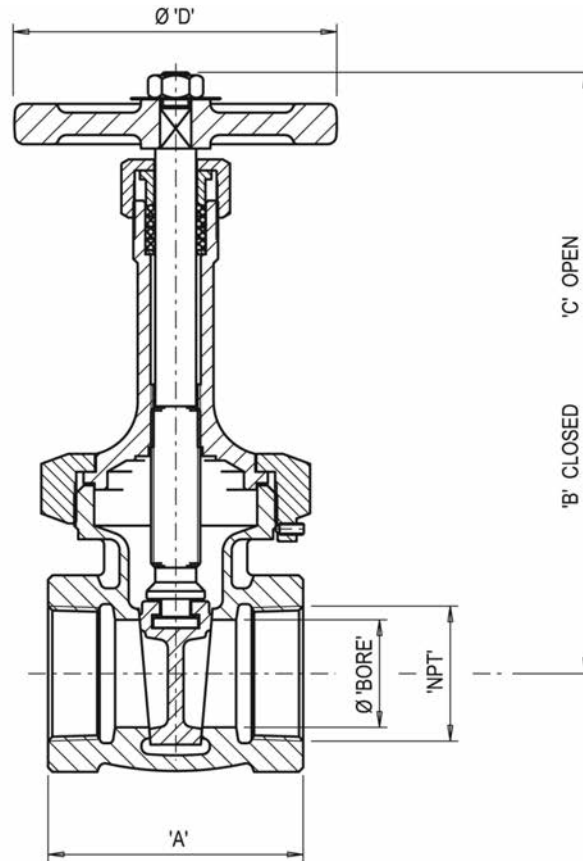


VALVE SIZE	BORE	NPT	A	B	C	D	*WEIGHT(KG)
DN15 (1/2")	12.7	1/2"	74	160	186	76	2
DN20 (3/4")	19.1	3/4"	74	160	186	76	2
DN25 (1")	25.4	1"	82	188	222	95	2.9
DN40 (1 1/2")	38.1	1 1/2"	90	270	325	114	7.6
DN50 (2")	50.8	2"	127	270	325	127	7.6
DN80 (3")	76.2	3"	203	407	492	203	23
DN100 (4")	100	4"	240	414	525	254	42

Design Standards MSS SP80 / BS 5154 / BS EN 12288
 End Connection Screwed Female or Socket Weld
 Description Bolted Bonnet
 Outside Screw
 Rising Stem and Handwheel
 Integral Seat
 Solid Wedge
 Handwheel Operated
 Open and Close Indicator

Pressure Testing API 598 / BS EN 12266-1
 OMI 1.5
 Optional Extras Locking Device
 Painting
 Tagging / Marking
 Various Bolting Materials
 Various Packing and Joint Materials
 Actuation

*Weight applies to Ni Aluminium Bronze Valves only.
 For Other materials please contact Shipham Sales Dept.

GA31 Gate Valve**Class 300****DN8 - DN80 / 0.25" - 3"**

VALVE SIZE	BORE	NPT	A	B	C	D	*WEIGHT(KG)
DN8 (1/4")	12.7	1/4"	74	116	132	76	0.8
DN10 (3/8")	12.7	3/8"	74	116	132	76	0.8
DN15 (1/2")	12.7	1/2"	60	116	132	76	0.8
DN20 (3/4")	19.1	3/4"	70	140	162	76	1.2
DN25 (1")	25.4	1"	76	162	197	83	1.8
DN40 (1 1/2")	38.1	1 1/2"	91	216	260	114	3.8
DN50 (2")	50.8	2"	102	258	319	127	5.6
DN65 (2 1/2")	63.5	2 1/2"	127	337	409	127	9
DN80 (3")	76.2	3"	146	364	450	178	11

Design Standards MSS SP80 / BS 5154 / BS EN 12288
 End Connection Screwed Female or Socket Weld
 NPT to ASME B1.20.1
 Description Union Bonnet
 Inside Screw
 Rising Stem and Handwheel
 Integral Seat
 Solid Wedge
 Handwheel Operated
 Graphite Packing Materials

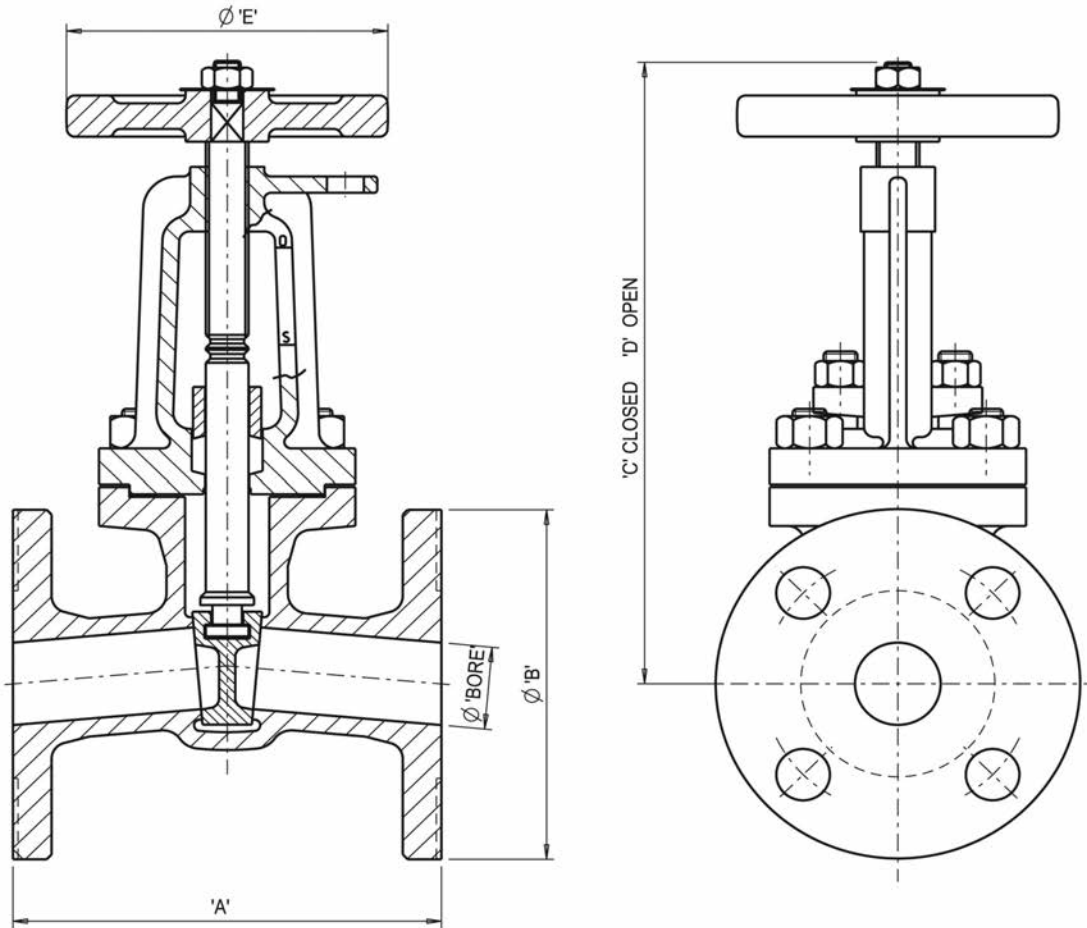
Pressure Testing API 598 / BS EN 12266-1
 OMI 1.2
 Optional Extras Locking Device
 Painting
 Tagging / Marking

*Weight applies to Ni Aluminium Bronze Valves only.
 For other materials please contact Shipham Sales Dept.

GA33 Gate Valve

Class 300

DN15 - DN80 / 0.5" - 3"



VALVE SIZE	BORE	A	B	C	D	E	*WEIGHT(KG)
DN15 (1/2")	12.7	140	95	232	254	89	3.4
DN20 (3/4")	19.1	152	117	232	254	152	6.5
DN25 (1")	25.4	165	124	241	270	152	7.9
DN40 (1 1/2")	38.1	190	155	286	330	152	14
DN50 (2")	50.8	216	165	330	394	178	20
DN65 (2 1/2")	63.5	241	190	343	419	203	27
DN80 (3")	76.2	282	210	470	546	203	37

Design Standards MSS SP80 / BS 5154 / BS EN 12288
 End Connection Flanged ASME B16.5 (Flat or Raised Face)
 Face to Face ASME B16.10
 Description Bolted Bonnet
 Outside Screw
 Rising Stem and Handwheel
 Integral Seat
 Solid Wedge
 Handwheel Operated
 Open and Close Indicator

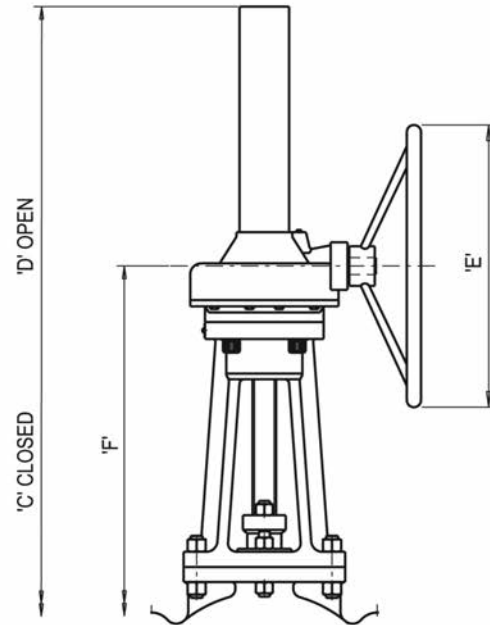
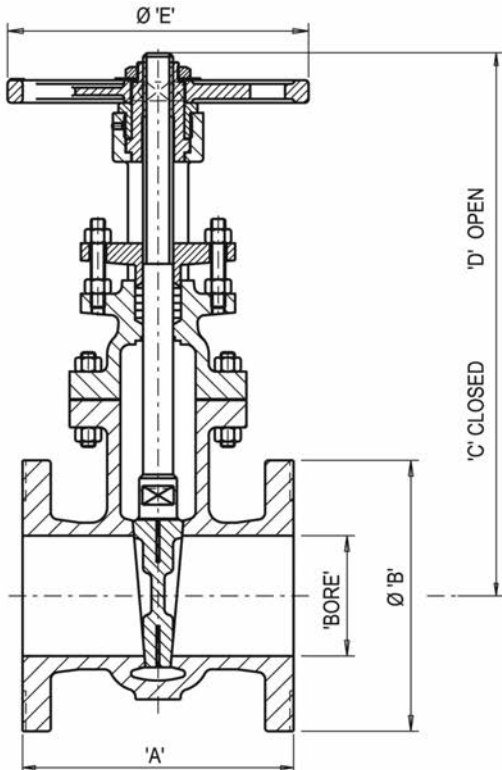
Pressure Testing API 598 / BS EN 12266-1
 OMI 1.5
 Optional Extras Locking Device
 Painting
 Tagging / Marking
 Various Bolting Materials
 Various Packing and Joint Materials
 Actuation

* Weight applies to Ni Aluminium Bronze Valves only.
 For other materials please contact Shipham Sales Dept.

GA35 Gate Valve

Class 300

DN50 - DN800 / 2" - 32"



VALVE SIZE	BORE	A	B	C	D	E	F	*WEIGHT(KG)
DN50 (2")	50.8	215	165	300	354	153	-	12
DN80 (3")	80.0	282	210	470	560	229	-	65
DN100 (4")	100.0	305	254	584	698	254	-	94
DN150 (6")	150.0	403	320	787	940	470	-	186
DN200 (8")	200.0	419	380	960	1169	470	-	370
DN25 (10")	250.0	457	445	1459	1459	500	-	530
DN300(12")	305.0	502	520	1555	1555	600	1120	570
DN350 (14")	336.5	762	585	1767	1767	600	1190	850
DN400 (16")	387.3	838	650	2025	2025	600	1291	1020
DN450 (18")	431.0	914	710	1883	1883	600	1530	1030
DN500 (20")	482.0	991	755	2595	2595	800	2341	1760
DN600 (24")	584.0	1143	915	3112	3112	800	2162	2460
DN800 (32")	788.0	1524	1450	3770	3770	500	3060	5310

Design Standards API 600, ISO 10434, BS1414
 End Connection Flanged ASME B16.5 or ASME B16.47 (Flat or Raised Face)
 Face to Face ASME B16.10
 Description Bolted Bonnet
 Outside Screw & Yoke
 Rising Stem
 Non-Rising Handwheel
 Integral Seat
 Solid Wedge
 Handwheel Operated

Pressure Testing API 598 / BS EN 12266-1
 OMI 1.5
 Optional Extras Locking Device
 Painting
 Tagging / Marking
 Open and Close Indicator
 Renewable Seats
 Flexible Wedge 3" / DN80 and above
 Various Bolting Materials
 Various Packing & Gasket Materials
 Actuation
 Extension Pedestal Assembly for Underground Operation

*Weight applies to Ni Aluminium Bronze Valves only,
 For other materials please contact Shipham Sales Dept.



Globe Valves

Valve Configurations							
No.	Bonnet Design	Screw Type	Handwheel Design	End Connection	Size Range	Pressure Rating	Materials Available
GL01	Union	Inside	Rising	Screwed Female or Socket Weld	DN6 – DN50 / ¼" – 2"	PN32	A B D E G H J
GL04	Bolted	Outside	Rising	Flanged ASME B16.5 (Flat and Raised Face)	DN15 – DN300 / ½" – 12"	Class 150	A B
GL05	Bolted	Outside	Rising	Flanged ASME B16.5 (Flat and Raised Face)	DN15 – DN400 / ½" – 16"	Class 150	K L M N P Q R T
GL31	Union	Inside	Rising	Screwed Female or Socket Weld	DN6 – DN50 / ¼" – 2"	Class 300	A B G H
GL34	Bolted	Outside	Rising	Flanged ASME B16.5 (Flat and Raised Face)	DN15 – DN350 / ½" – 14"	Class 300	A B
GL35	Bolted	Outside	Rising	Flanged ASME B16.5 (Flat and Raised Face)	DN15 – DN300 / ½" – 12"	Class 300	A B

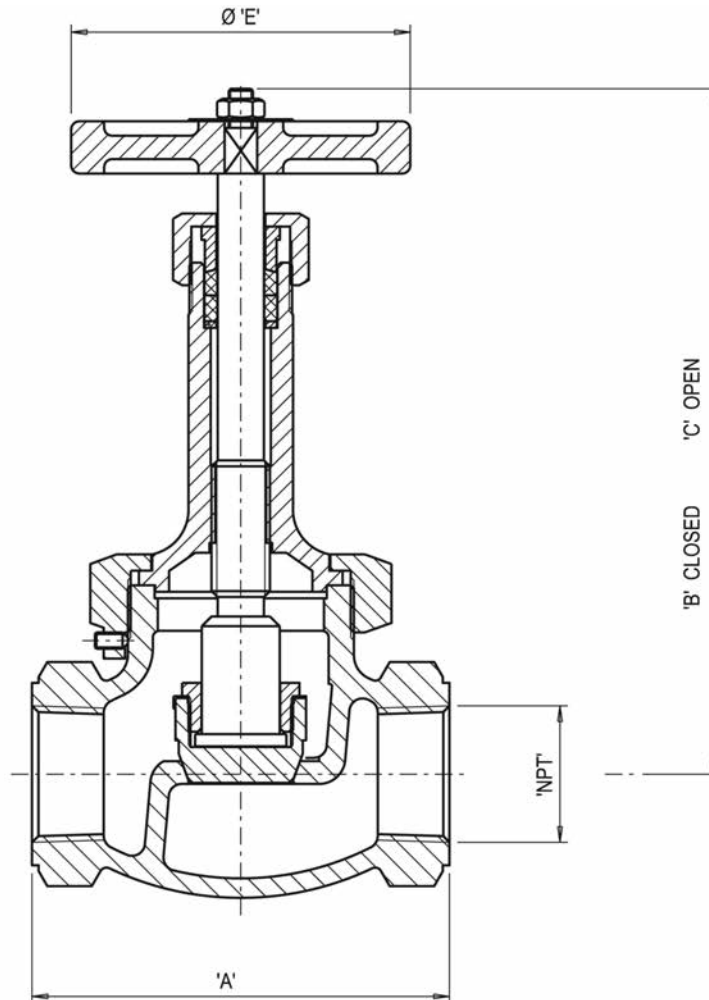
Materials of Construction			
Code	Body / Bonnet	Disc	Stem
A	Nickel Aluminium Bronze	Nickel Aluminium Bronze	Nickel Aluminium Bronze
B	Nickel Aluminium Bronze	Alloy 400	Alloy 400 / Alloy K500
D	Bronze ASTM B62	Nickel Aluminium Bronze	Nickel Aluminium Bronze
E	Bronze ASTM B62	Alloy 400	Alloy 400 / Alloy K500
G	Bronze ASTM B61	Nickel Aluminium Bronze	Nickel Aluminium Bronze
H	Bronze ASTM B61	Alloy 400	Alloy 400
J	Phosphor Bronze	Phosphor Bronze	Phosphor Bronze
K	Alloy 400	Alloy 400	Alloy 400 / Alloy K500
L	Titanium	Titanium	Titanium
M	Alloy 20	Alloy 20	Alloy 20
N	Alloy 625	Alloy 625	Alloy 625
P	6Mo Stainless Steel	6Mo Stainless Steel	6Mo Stainless Steel
Q	Duplex Stainless Steel	Duplex Stainless Steel	Duplex Stainless Steel
R	Nickel Moly Alloy B&C	Nickel Moly Alloy B&C	Nickel Moly Alloy B&C
T	Alloy 825	Alloy 825	Alloy 825



GL01 Globe Valve

PN32

DN6 - DN50 / 0.25" - 2"

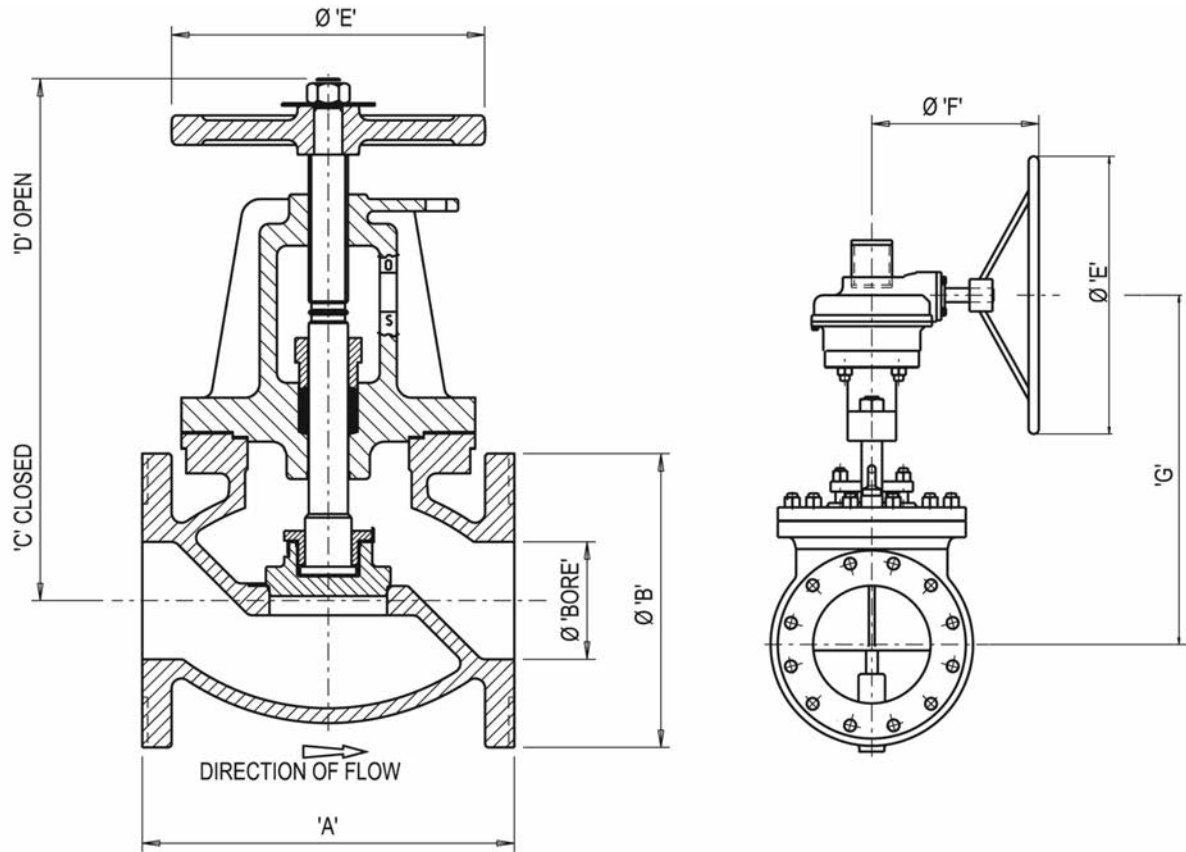


VALVE SIZE	NPT	A	B	C	D	*WEIGHT(KG)
DN6 (1/4")	1/4"	100	127	140	64	0.9
DN10 (3/8")	3/8"	100	127	140	64	0.9
DN15 (1/2")	1/2"	86	127	140	76	0.9
DN20 (3/4")	3/4"	97	143	167	76	1.5
DN25 (1")	1"	102	167	183	83	2.2
DN40 (1 1/2")	1 1/2"	133	213	229	114	4.3
DN50 (2")	2"	157	248	274	127	6.3

Design Standards MSS SP80 / BS 5154
 End Connection Screwed Female or Socket Weld
 Description Union Bonnet
 Inside Screw
 Rising Stem and Handwheel
 Integral Seat
 Plug Type Disc
 Handwheel Operated
 Graphite Packing Materials

Pressure Testing API 598 / BS EN 12266-1
 OMI 2.7
 Optional Extras Locking Device
 Painting
 Tagging / Marking

*Weight applies to Ni Aluminium Bronze Valves only.
 For other materials please contact Shipham Sales Dept.

GL04 Globe Valve**Class 150****DN15 - DN300 / 0.5" - 12"**

VALVE SIZE	BORE	A	B	C	D	E	F	G	*WEIGHT(KG)
DN15 (1/2")	12.7	108	89	147	153	95	-	-	5
DN20 (3/4")	19.1	118	98	210	219	95	-	-	5.5
DN25 (1")	25.4	127	107	192	202	114	-	-	9
DN40 (1 1/2")	38.1	165	127	231	253	127	-	-	12
DN50 (2")	50.8	203	152	289	303	178	-	-	20
DN80 (3")	76.2	241	190	338	362	203	-	-	35
DN100 (4")	101.6	292	229	344	369	203	-	-	49
DN150 (6")	152.4	406	279	416	457	355	-	-	128
DN200 (8")	203.2	495	343	490	541	406	-	-	151
DN250 (10")	254.0	622	406	-	-	600	305	754	360
DN300 (12")	304.8	698	483	-	-	1194	400	787	428

Design Standards MSS SP80 / BS 5154
 End Connection Flanged ASME B16.5 (Flat or Raised Face)
 Face to Face ASME B16.10
 Description Bolted Bonnet
 Outside Screw
 Rising Stem and Handwheel
 Integral Seat
 Plug Type Disc
 Handwheel Operated

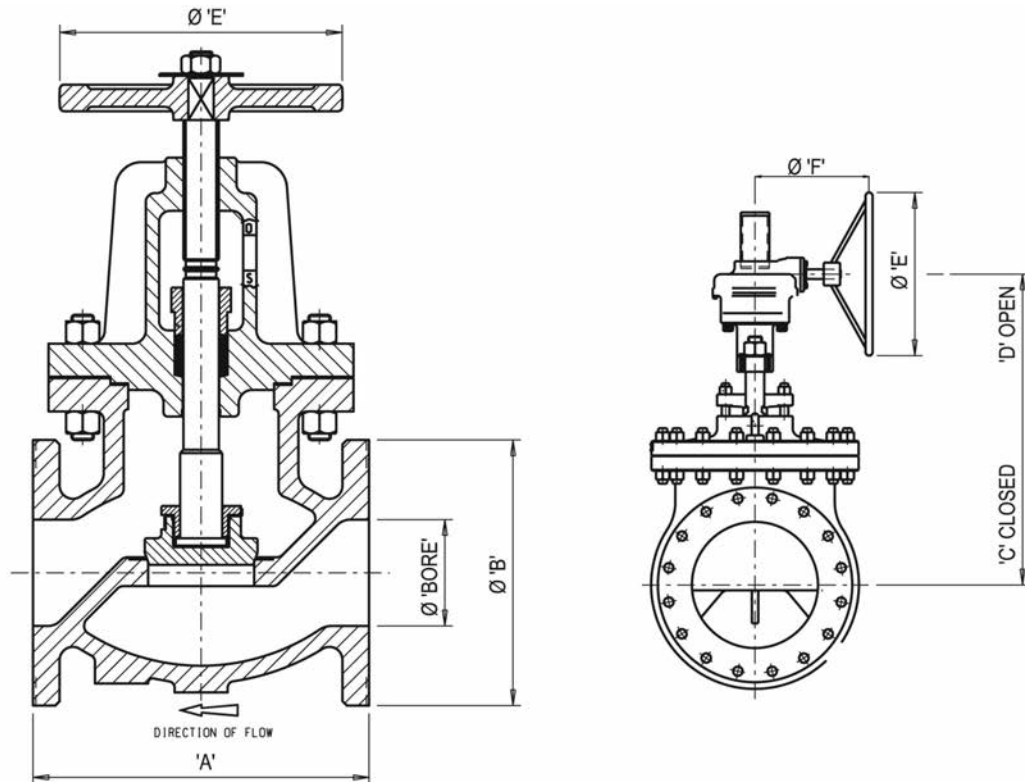
Pressure Testing API 598 / BS EN 12266-1
 OMI 2.11
 Optional Extras Locking Device
 Painting
 Tagging / Marking
 Open and Close Indicator
 Renewable Seats 2" / DN50 and above
 Various Bolting Materials
 Various Packing & Gasket Materials
 Actuation

*Weight applies to Ni Aluminium Bronze Valves only.
 For other materials please contact Shipham Sales Dept.

GL05 Globe Valve

Class 150

DN15 - DN400 / 0.5" - 16"

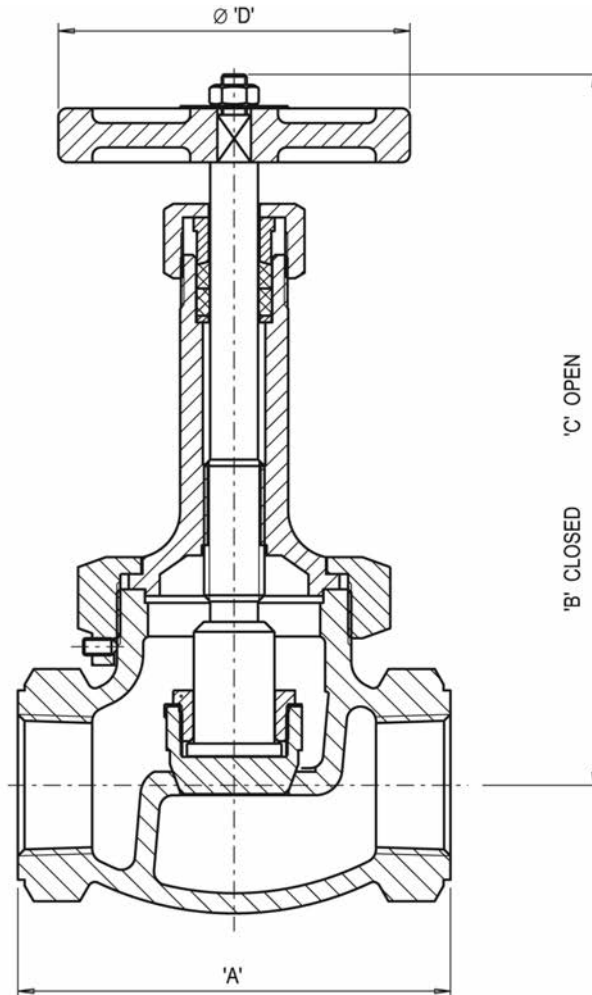


VALVE SIZE	BORE	A	B	C	D	E	F	*WEIGHT(KG)
DN15 (1/2")	12.7	108	89	202	208	89	-	-
DN20 (3/4")	19.1	117	98	232	245	117	-	-
DN25 (1")	25.4	127	108	232	245	124	-	-
DN40 (1 1/2")	38.1	165	127	232	245	127	-	-
DN50 (2")	50.8	203	152	298	320	203	-	-
DN65 (2 1/2")	63.5	216	178	340	365	254	-	-
DN80 (3")	76.2	241	190	362	395	254	-	-
DN100 (4")	101.6	292	229	381	420	305	-	48
DN150 (6")	152.4	406	279	460	500	356	-	94
DN200 (8")	203.2	495	343	465	525	406	-	155
DN250 (10")	254.0	622	406	700	700	800	300	360
DN300 (12")	304.8	699	483	790	790	1194	300	428
DN350 (14")	337.0	787	535	930	930	800	335	560
DN400 (16")	387.0	914	595	920	920	500	296	780

Design Standards BS1873
 End Connection Flanged ANSI B16.5 (Flat or Raised Face)
 Face to Face ASME B16.10
 Description Bolted Bonnet
 Outside Screw
 Rising Stem and Handwheel
 Integral Seat Plug
 Type Disc
 Handwheel Operated

Pressure Testing API 598 / BS EN 12266-1
 OMI 2.11
 Optional Extras Locking Device
 Painting
 Tagging / Marking
 Open and Close Indicator
 Renewable Seats 2" / DN50 and above
 Various Bolting Materials
 Various Packing & Gasket Materials
 Actuation

*Weight applies to Ni Aluminium Bronze Valves only.
 For other materials please contact Shipham Sales Dept.

GL31 Globe Valve**Class 300****DN6 - DN50 / 0.25" - 2"**

VALVE SIZE	NPT	A	B	C	D	*WEIGHT(KG)
DN6 (1/4")	1/4"	100	127	140	64	0.9
DN10 (3/8")	3/8"	100	127	140	64	0.9
DN15 (1/2")	1/2"	86	127	140	64	0.9
DN20 (3/4")	3/4"	97	143	157	76	1.5
DN25 (1")	1"	102	168	184	83	2.2
DN40 (1 1/2")	1 1/2"	133	213	229	114	4.3
DN50 (2")	2"	156	248	273	127	6.3

Design Standards MSS SP80 / BS 5154
 End Connection Screwed Female or Socket Weld
 Description Union Bonnet
 Inside Screw
 Rising Stem and Handwheel
 Integral Seat
 Plug Type Disc
 Handwheel Operated
 Graphite Packing Materials

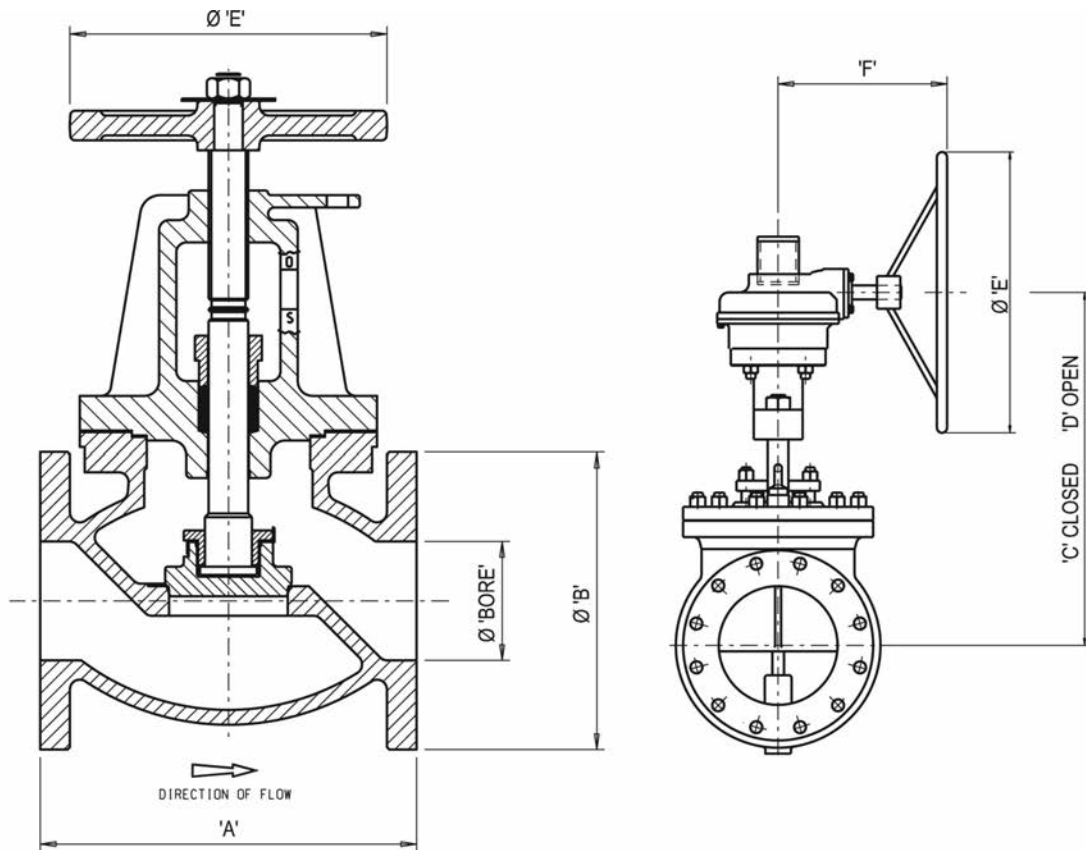
Pressure Testing API 598 / BS EN 12266-1
 OMI 2.7
 Optional Extras Locking Device
 Painting
 Tagging / Marking

* Weight applies to Ni Aluminium Bronze Valves only.
 For other materials please contact Shipham Sales Dept.

GL34 Globe Valve

Class 300

DN15 - DN350 / 0.5" - 14"



VALVE SIZE	BORE	A	B	C	D	E	F	*WEIGHT(KG)
DN15 (1/2")	12.7	152	95	183	188	89	-	7
DN20 (3/4")	19.1	178	117	232	244	114	-	10
DN25 (1")	25.4	203	124	232	254	127	-	15
DN40 (1 1/2")	38.1	229	155	260	286	152	-	20
DN50 (2")	50.8	267	165	280	313	203	24	24
DN65 (2 1/2")	63.5	292	190	280	317	203	30	40
DN80 (3")	76.2	318	210	336	364	254	42	60
DN100 (4")	101.6	356	254	356	384	305	60	71
DN150 (6")	152.4	444	318	466	508	406	190	100
DN200 (8")	203.2	559	381	610	610	508	300	200
DN250 (10")	254.0	622	445	711	711	508	300	300
DN300 (12")	304.8	711	521	813	813	610	400	450
DN350 (14")	337.0	838	584	1360	1360	800	530	550

Design Standards MSS SP80 / BS 5154
 End Connection Flanged ASME B16.5 (Flat or Raised Face)
 Face to Face ASME B16.10
 Description Bolted Bonnet
 Outside Screw
 Rising Stem and Handwheel
 Integral Seat
 Plug Type Disc
 Handwheel Operated

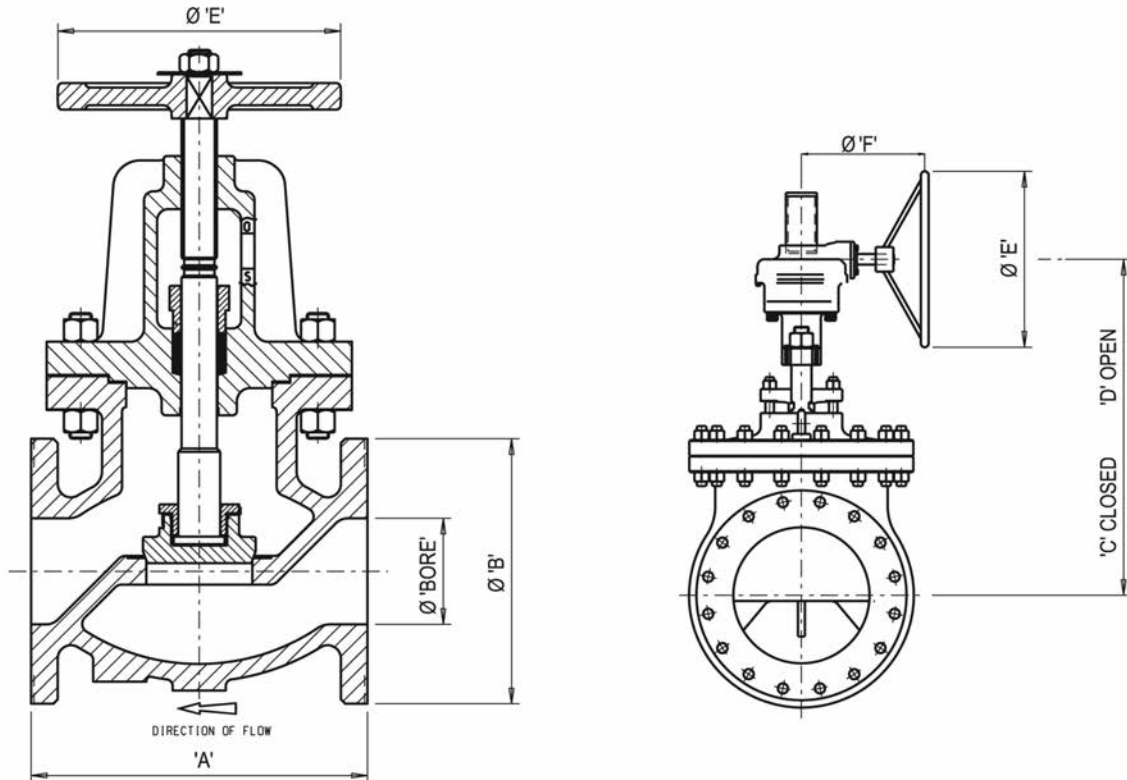
Pressure Testing API 598 / BS EN 12266-1
 OMI 2.11
 OptionalExtras Locking Device
 Painting
 Tagging / Marking
 Open and Close Indicator
 Renewable Seats 2" / DN50 and above
 Various Bolting Materials
 Various Packing & Gasket Materials
 Actuation

* Weight applies to Ni Aluminium Bronze Valves.
 For other materials please contact Shipham Sales Dept.

GL35 Globe Valve

Class 300

DN15 - DN300 / 0.5" - 12"



VALVE SIZE	BORE	A	B	C	D	E	F	*WEIGHT(KG)
DN15 (1/2")	12.7	152	95	183	188	89	-	7
DN20 (3/4")	19.1	178	117	232	244	114	-	10
DN25 (1")	25.4	203	124	232	254	127	-	15
DN40 (1 1/2")	38.1	229	155	260	286	152	-	20
DN50 (2")	50.8	267	165	195	311	203	28	24
DN65 (2 1/2")	63.5	292	190	280	317	203	34	60
DN80 (3")	76.2	318	210	385	412	305	45	71
DN100 (4")	101.6	356	254	435	470	356	60	100
DN150 (6")	152.4	444	318	521	571	457	190	200
DN200 (8")	203.2	559	381	610	610	508	300	300
DN250 (10")	254.0	622	445	711	711	508	300	450
DN300 (12")	304.8	711	521	813	813	610	400	550

Design Standards BS1873
 End Connection Flanged ASME B16.5 (Flat or Raised Face)
 Face to Face ASME B16.10
 Description Bolted Bonnet
 Outside Screw
 Rising Stem and Handwheel
 Integral Seat
 Plug Type Disc
 Handwheel Operated

Pressure Testing API 598 / BS EN 12266-1
 OMI 2.11
 Optional Extras Locking Device
 Painting
 Tagging / Marking
 Open and Close Indicator
 Renewable Seats 2" / DN50 and above
 Various Bolting Materials
 Various Packing & Gasket Materials
 Actuation

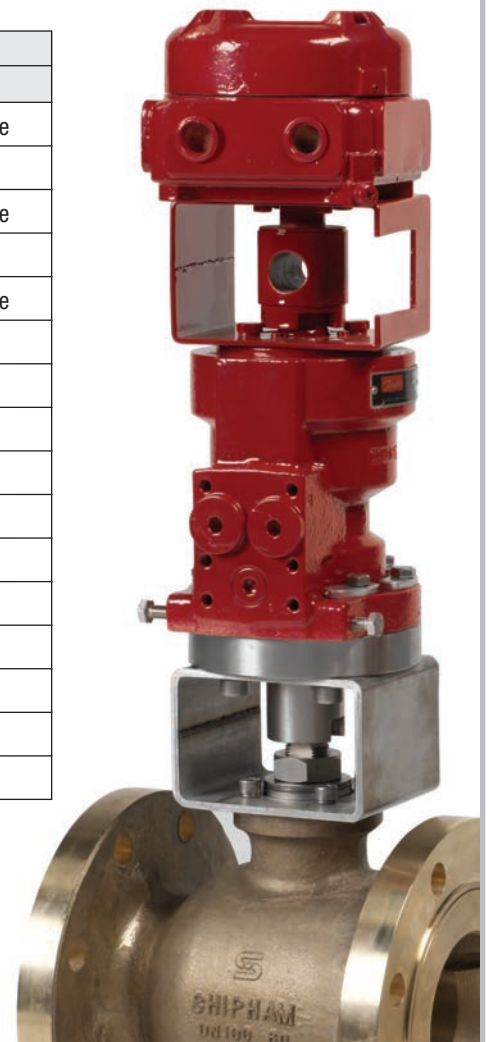
*Weight applies to Ni Aluminium Bronze Valves only.
 For other materials please contact Shipham Sales Dept.



Ball Valves

Valve Configurations						
No.	Design	Port	End Connection	Size Range	Pressure Rating	Materials Available
BA01	1-Piece Side Entry	Reduced Bore	Flanged ASME B16.5 (Flat or Raised Face)	DN15 – DN300 / ½" – 12"	Class 150	ABDEGHJKLMNPQ RTZ
BA02	2-Piece Side Entry	Full or Reduced Bore	Flanged ASME B16.5 (Flat or Raised Face)	DN15 – DN300 / ½" – 12"	Class 150	ABDEGHJKLMNPQ RTZ
BA03	3-Piece	Full or Reduced Bore	Screwed Female or Socket Weld	DN6 – DN100 / ¼" – 4"	PN40	ABDEGHJKLMNPQ RTZ
BA07	1-Piece Side Entry Bolted	Reduced Bore	Screwed Female	DN15 – DN80 / ½" – 3"	PN32	ABJKLMNPQRT
BA11	2-Piece Side Entry Bolted	Reduced Bore	Screwed Female or Socket Weld	DN6 – DN25 / ¼" – 1"	PN32	A
BA31	1-Piece Side Entry	Reduced Bore	Flanged ASME B16.5 (Flat or Raised Face)	DN15 – DN150 / ½" – 6"	Class 300	ABGHJKLMNPQRT
BA32	2-Piece Side Entry Bolted	Full or Reduced Bore	Flanged ASME B16.5 (Flat or Raised Face)	DN15 – DN200 / ½" – 8"	Class 300	ABGHJKLMNPQRT

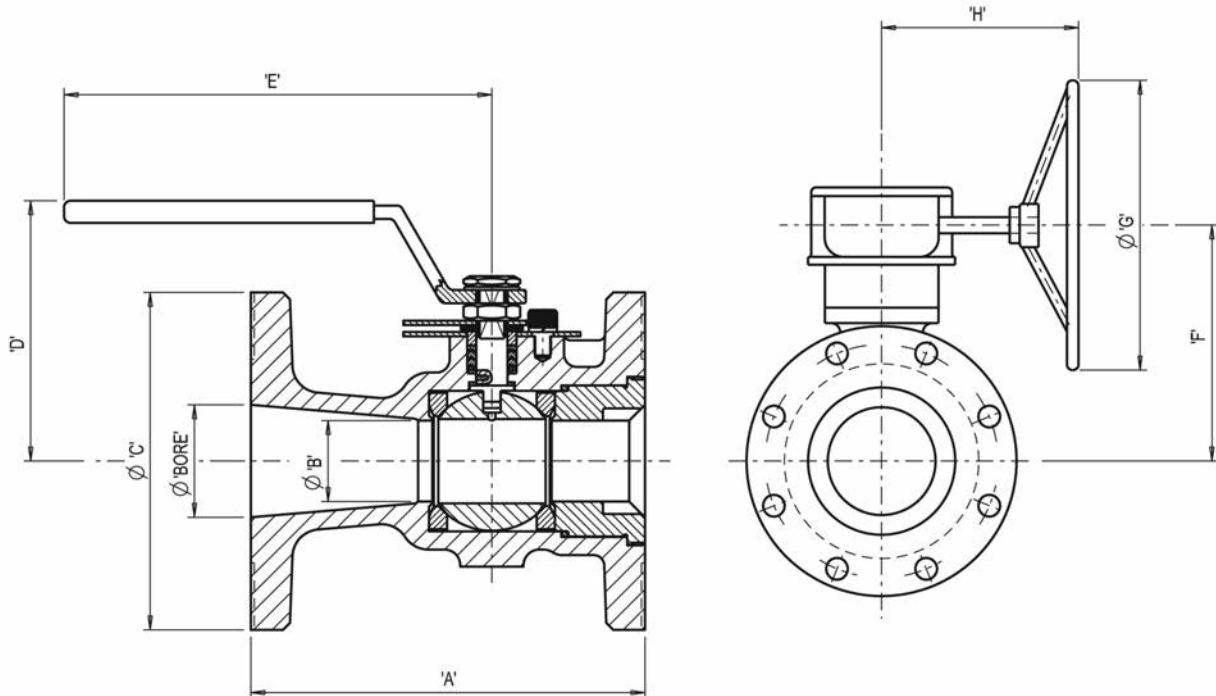
Materials of Construction			
Code	Body / Bonnet	Ball	Stem
A	Nickel Aluminium Bronze	Nickel Aluminium Bronze	Nickel Aluminium Bronze
B	Nickel Aluminium Bronze	Alloy 400	Alloy 400 / Alloy K500
D	Bronze ASTM B62	Nickel Aluminium Bronze	Nickel Aluminium Bronze
E	Bronze ASTM B62	Alloy 400	Alloy 400 / Alloy K500
G	Bronze ASTM B61	Nickel Aluminium Bronze	Nickel Aluminium Bronze
H	Bronze ASTM B61	Alloy 400	Alloy 400 / Alloy K500
J	Phosphor Bronze	Phosphor Bronze	Phosphor Bronze
K	Alloy 400	Alloy 400	Alloy 400 / Alloy K500
L	Titanium	Titanium	Titanium
M	Alloy 20	Alloy 20	Alloy 20
N	Alloy 625	Alloy 625	Alloy 625
P	6Mo Stainless Steel	6Mo Stainless Steel	6Mo Stainless Steel
Q	Duplex Stainless Steel	Duplex Stainless Steel	Duplex Stainless Steel
R	Nickel Moly Alloy B&C	Nickel Moly Alloy B&C	Nickel Moly Alloy B&C
T	Alloy 825	Alloy 825	Alloy 825
Z	Zirconium	Zirconium	Zirconium



BA01 Ball Valve

Class 150

DN15 - DN300 / 0.5" - 12"

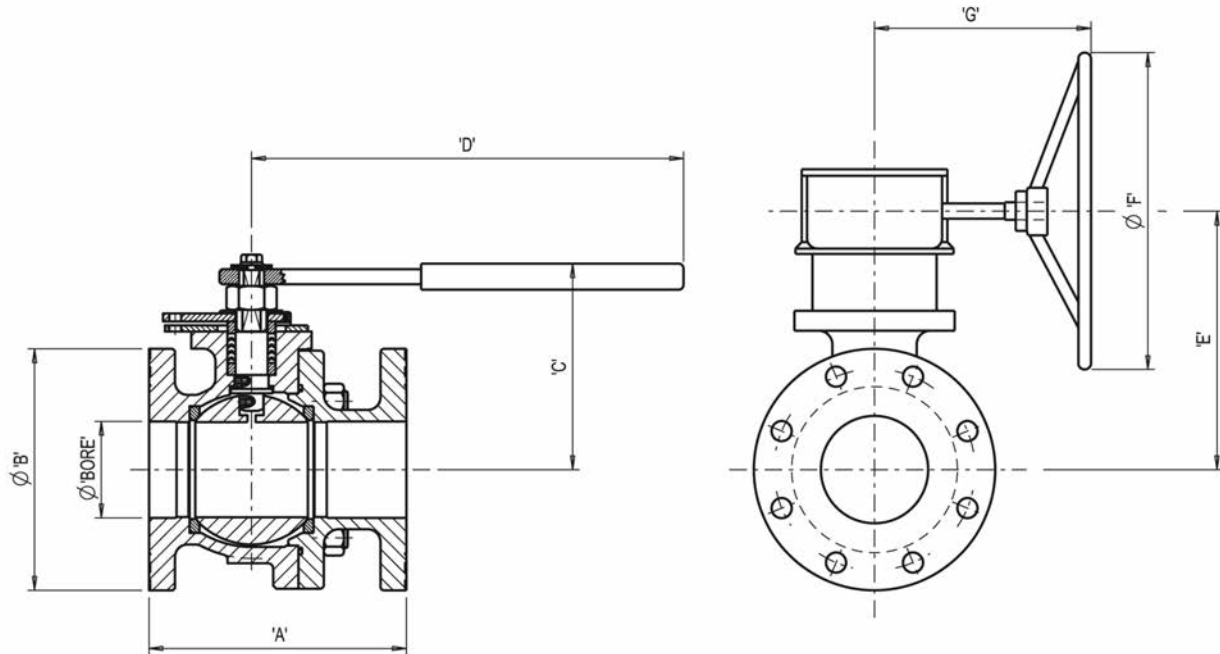


VALVE SIZE	BORE	A	B	C	D	E	F	G	H	*WEIGHT(KG)
DN15 (1/2")	12.7	108	12.7	89	77	142	-	-	-	1.7
DN20 (3/4")	19.1	117	12.7	98	77	142	-	-	-	1.9
DN25 (1")	25.4	127	19.1	108	80	142	-	-	-	2.5
DN40 (1 1/2")	38.1	165	30.2	127	111	193	-	-	-	4.9
DN50 (2")	50.8	178	36.6	152	118	193	-	-	-	7.5
DN80 (3")	76.2	203	63.5	190	155	406	-	-	-	19.3
DN100 (4")	101.6	229	82.5	229	172	461	-	-	-	30.4
DN150 (6")	152.4	267	111.1	279	-	-	400	282	252	80
DN200 (8")	203.2	292	147.7	340	-	-	450	322	278	96
DN250 (10")	254.0	330	187.3	406	-	-	450	424	285	125
DN300 (12")	304.8	356	228.6	483	-	-	600	515	310	200

Design Standards BS EN ISO 17292 (BS 5351)
 End Connection Flanged ASME B16.5 (Flat or Raised Face)
 Face to Face ASME B16.10
 Description Reduced Bore
 1-Piece Side Entry Construction
 Floating Ball
 PTFE or Reinforced PTFE Seats & Seals
 Open and Close Indicator
 Lever Operated
 Anti-Static Device

Pressure Testing API 598 / BS EN 12266-1
 OMI 4.1
 Optional Extras Locking Device
 Actuation
 Tagging / Marking

*Weight applies to Ni Aluminium Bronze Valves only.
 For other materials please contact Shipham Sales Dept.

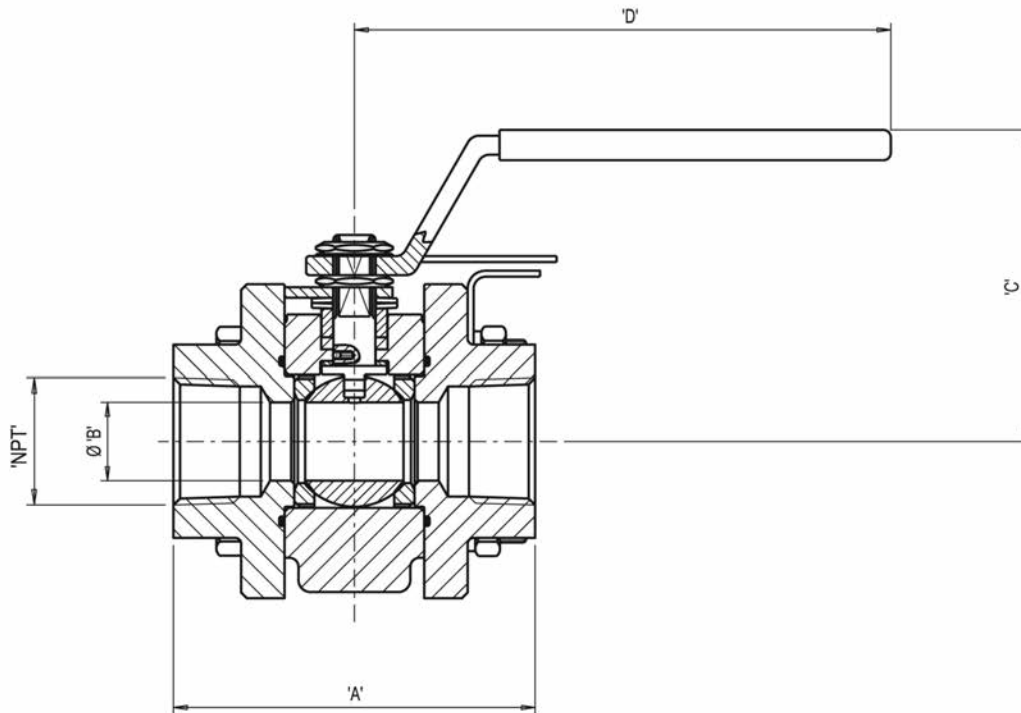
BA02 Ball Valve**Class 150****DN15 - DN300 / 0.5" - 12"**

VALVE SIZE	BORE	A	B	C	D	E	F	G	*WEIGHT(KG)
DN15 (1/2")	12.7	108	90	75	142	-	-	-	4
DN20 (3/4")	19.1	117	98	82	142	-	-	-	4.5
DN25 (1")	25.4	127	108	113	194	-	-	-	5
DN40 (1 1/2")	38.1	165	127	118	194	-	-	-	8
DN50 (2")	50.8	178	152	121	237	-	-	-	14
DN80 (3")	76.2	203	190	170	457	-	-	-	35
DN100 (4")	101.6	229	229	-	-	271	400	252	81
DN150 (6")	152.4	394	279	-	-	321	305	258	115
DN200 (8")	203.2	457	343	-	-	400	600	310	115
DN250 (10")	254	533	406	-	-	526	600	310	270
DN300 (12")	304.8	610	483	-	-	566	500	415	550

Design Standards BS EN ISO 17292 (BS 5351)
 End Connection Flanged ASME B16.5 (Flat or Raised Face)
 Face to Face ASME B16.10
 Description Full or Reduced Bore
 2-Piece Side Entry Bolted Construction
 Floating Ball
 PTFE or Reinforced PTFE Seats & Seals
 Open and Close Indicator
 Lever Operated
 Anti-Static Device

Pressure Testing API 598 / BS EN 12266-1
 OMI 4.4
 Optional Extras Locking Device
 Tagging / Marking
 Painting

* Weight applies to Ni Aluminium Bronze Valves only.
 For other materials please contact Shipham Sales Dept.
 ** For Reduced Bore dimensions please contact Shipham Sales Dept.

BA03 Ball Valve**PN40****DN6 - DN100 / 0.25" - 4"**

VALVE SIZE	NPT	A	B	C	D	*WEIGHT(KG)
DN6 (1/4")	1/4" NPT	69	6.0	69	141	1
DN15 (1/2")	1/2" NPT	69	11.1	69	141	1
DN20 (3/4")	3/4" NPT	80	12.7	75	141	1.4
DN25 (1")	1" NPT	95	20.6	84	141	2.5
DN40 (1 1/2")	1 1/2" NPT	122	31.8	105	193	5.5
DN50 (2")	2" NPT	129	38.1	109	193	6.4
DN80 (3")	3" NPT	191	63.5	162	406	13
DN100 (4")	4" NPT	262	82.5	172	450	14

Design Standards BS EN ISO 17292 (BS 5351)
 End Connection Screwed Female or Socket Weld
 Description Full or Reduced Bore
 3-Piece Construction
 Floating Ball
 PTFE or Reinforced PTFE Seats & Seals
 Open and Close Indicator
 Lever Operated
 Anti-Static Device

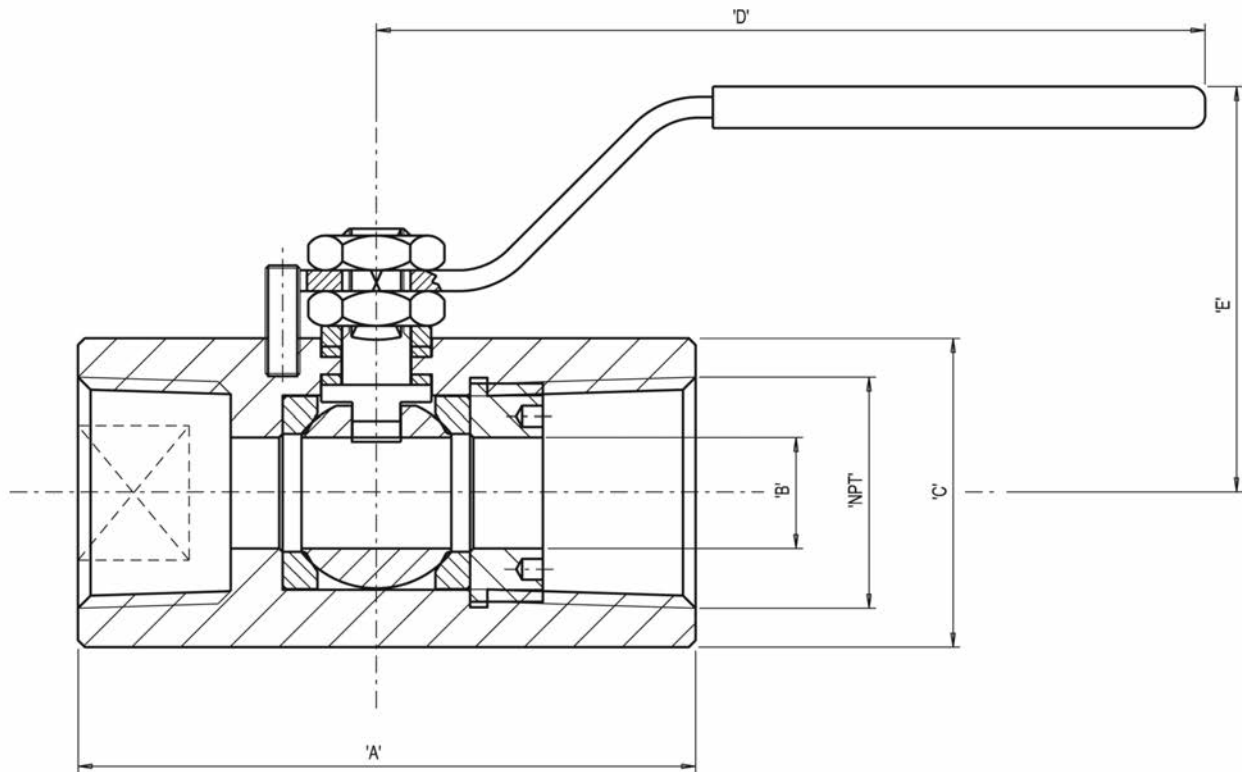
Pressure Testing API 598 / BS EN 12266-1
 OMI 4.5
 Optional Extras Locking Device
 Actuation
 Tagging / Marking

* Weight applies to Ni Aluminium Bronze Valves only.
 For other materials please contact Shipham Sales Dept.
 ** For Full Bore dimensions please contact Shipham Sales Dept.

BA07 Ball Valve

PN32

DN15 - DN80 / 0.5" - 3"

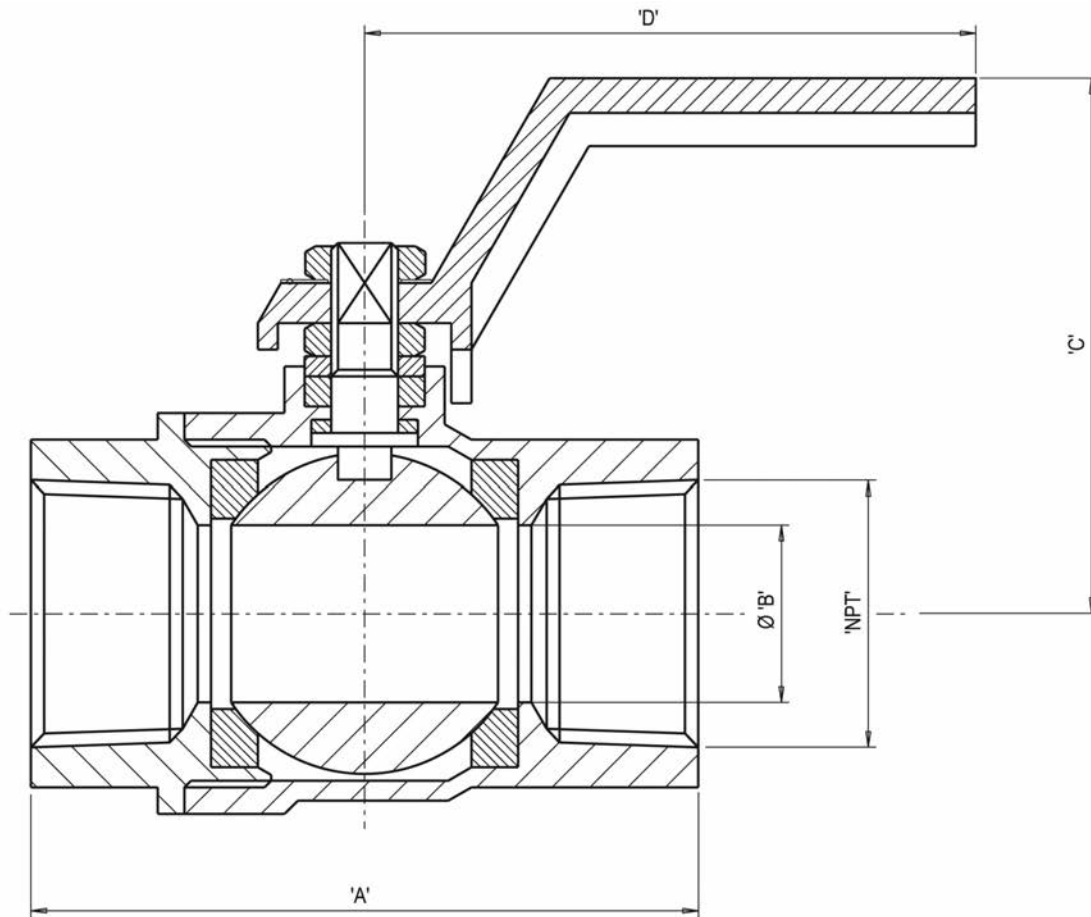


VALVE SIZE	NPT	A	B	C	D	E	*WEIGHT(KG)
DN15 (1/2")	1/2" NPT	64	9	28	116	40	0.7
DN20 (3/4")	3/4" NPT	70	12.5	32	116	42	0.8
DN25 (1")	1" NPT	89	16	45	150	60	1
DN40 (1 1/2")	1 1/2" NPT	99	25	57	150	67	1.2
DN50 (2")	2" NPT	114	32	70	165	73	2
DN80 (3")	3" NPT	165	51	114	305	109	8.6

End Connection Screwed Female
 Pressure Rating PN32
 Description Reduced Bore
 1-Piece Side Entry Bolted Construction
 Floating Ball
 PTFE or Reinforced PTFE Seats & Seals
 Lever Operated
 Open and Close Indicator

Pressure Testing API 598 / BS EN 12266-1:2003
 OMI 4.11
 Optional Extras Locking Device
 Painting
 Tagging / Marking
 Anti-Static Device
 Actuation

* Weight applies to Ni Aluminium Bronze Valves only.
 For other materials please contact Shipham Sales Dept.

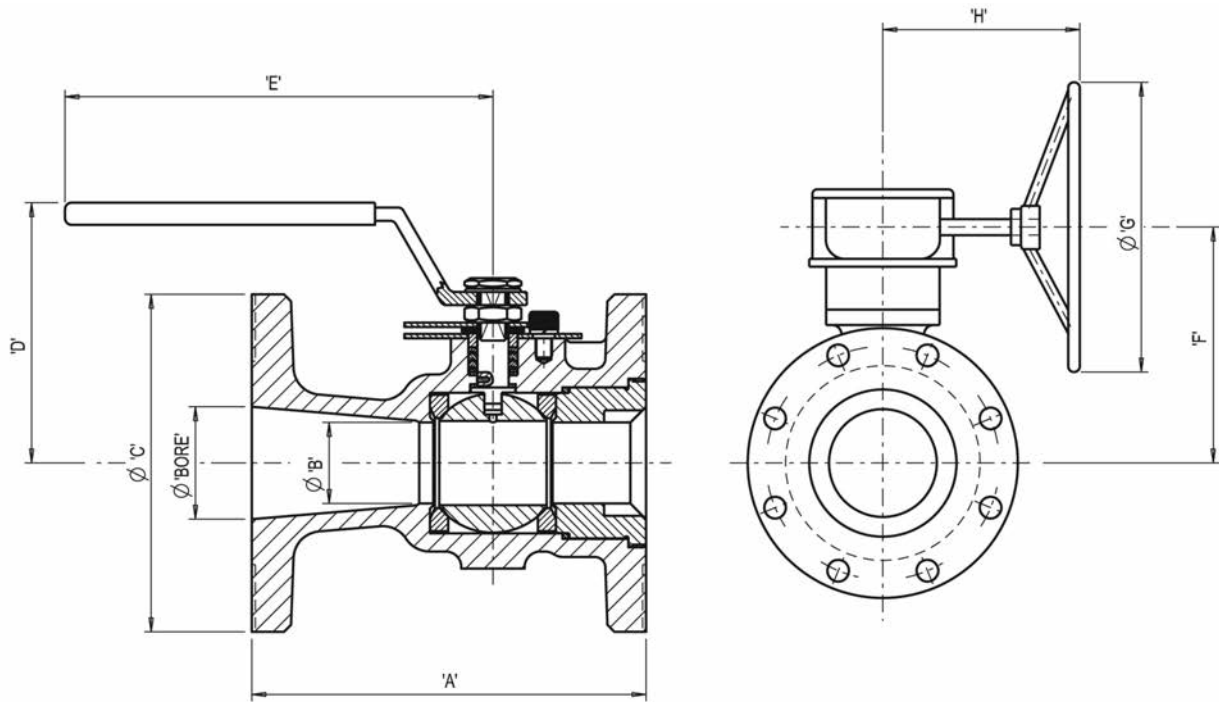
BA11 Ball Valve**PN32****DN6 - DN25 / 0.25" - 1"**

VALVE SIZE	NPT	A	B	C	D	*WEIGHT(KG)
DN6 (1/4")	1/4" NPT	59	11.1	52	110	0.45
DN10 (3/8")	3/8" NPT	59	14.3	52	110	0.45
DN15 (1/2")	1/2" NPT	59	18.3	52	110	0.45
DN20 (3/4")	3/4" NPT	59	20.0	52	110	0.45
DN25 (1")	1" NPT	71	20.0	56	110	0.55

End Connection Screwed Female or Socket Weld
 Pressure Rating PN32
 Description Reduced Bore
 2-Piece Side Entry Bolted Construction
 Floating Ball
 PTFE or Reinforced PTFE Seats & Seals
 Lever Operated
 Open and Close Indicator

Pressure Testing API 598 / BS EN 12266-1:2003
 OMI 4.11
 Optional Extras Locking Device
 Painting
 Tagging / Marking
 Anti-Static Device

*Weight applies to Ni Aluminium Bronze Valves only.
 For other materials please contact Shipham Sales Dept.

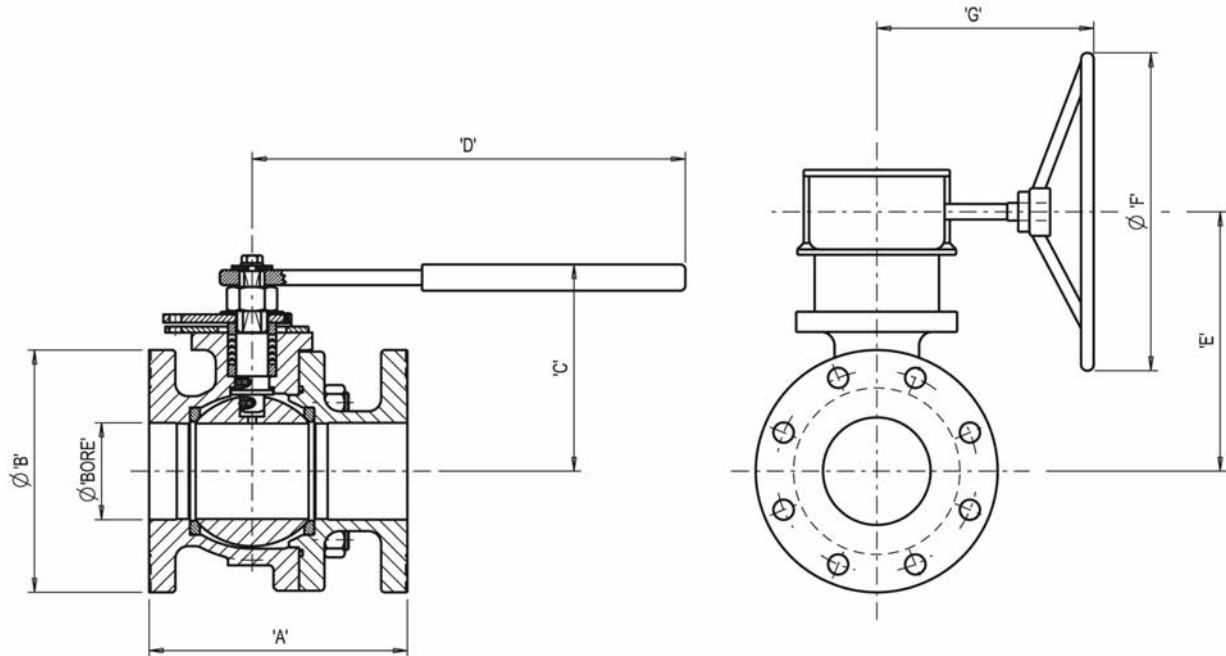
BA31 Ball Valve**Class 300****DN15 - DN150 / 0.5" - 6"**

VALVE SIZE	BORE	A	B	C	D	E	F	G	H	*WEIGHT(KG)
DN15 (1/2")	12.7	140	12.7	95	77	142	-	-	-	3.8
DN20 (3/4")	19.1	152	12.7	118	77	142	-	-	-	3.8
DN25 (1")	25.4	165	19.1	124	80	142	-	-	-	4.5
DN40 (1 1/2")	38.1	191	30.2	155	113	194	-	-	-	8
DN50 (2")	50.8	215	36.6	165	118	194	-	-	-	10.7
DN80 (3")	76.2	283	63.5	210	155	354	-	-	-	24
DN100 (4")	101.6	229	82.5	229	172	461	-	-	-	30.4
DN150 (6")	152.4	403	111.1	318	-	-	280	400	252	80

Design Standards BS EN ISO 17292 (BS 5351)
 End Connection Flanged ASME B16.5 (Flat or Raised Face)
 Face to Face ASME B16.10
 Description Reduced Bore
 1-Piece Side Entry Construction
 Floating Ball
 PTFE or Reinforced PTFE Seats & Seals
 Open and Close Indicator
 Lever Operated
 Anti-Static Device

Pressure Testing API 598 / BS EN 12266-1
 OMI 4.1
 Optional Extras Locking Device
 Actuation
 Tagging / Marking
 Painting

*Weight applies to Ni Aluminium Bronze Valves only.
 For other materials please contact Shipham Sales Dept.

BA32 Ball Valve**Class 300****DN15 - DN200 / 0.5" - 8"**

VALVE SIZE	BORE	A	B	C	D	E	F	G	*WEIGHT(KG)
DN15 (1/2")	12.7	140	95	82	142	-	-	-	4.5
DN20 (3/4")	19.1	152	115	82	142	-	-	-	6
DN25 (1")	25.4	165	125	113	194	-	-	-	6
DN40 (1 1/2")	38.1	191	156	119	194	-	-	-	22
DN50 (2")	50.8	216	165	121	237	-	-	-	35
DN80 (3")	76.2	282	210	171	461	-	-	-	50
DN100 (4")	101.6	305	254	-	-	279	400	252	120
DN150 (6")	152.4	403	318	-	-	323	400	290	129
DN200 (8")	203.2	502	382	-	-	400	600	360	160

Design Standards BS EN ISO 17292 (BS 5351)
 End Connection Flanged ASME B16.5 (Flat or Raised Face)
 Face to Face ASME B16.10
 Description Full or Reduced Bore
 2-Piece Side Entry Bolted Construction
 Floating Ball
 PTFE or Reinforced PTFE Seats & Seals
 Open and Close Indicator
 Lever Operated
 Anti-Static Device

Pressure Testing API 598 / BS EN 12266-1
 OMI 4.4
 Optional Extras Locking Device
 Actuation
 Tagging / Marking
 Painting

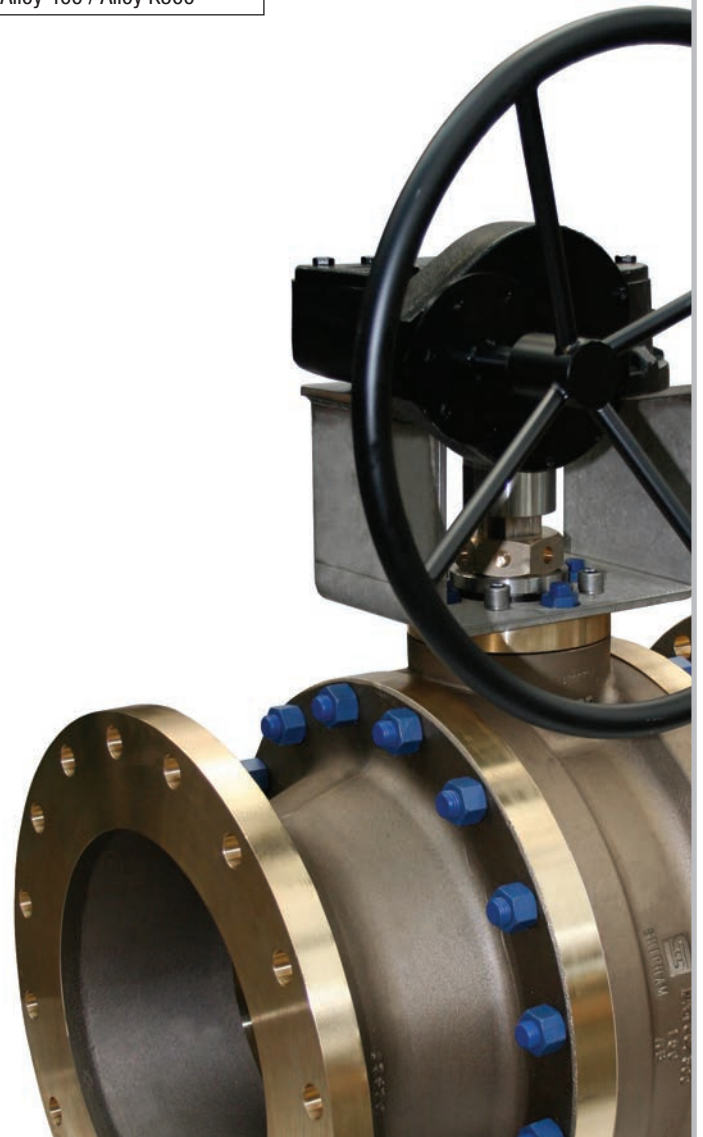
*Weight applies to Ni Aluminium Bronze Valves only.
 For other materials please contact Shipham Sales Dept.
 ** For Reduced Bore dimensions please contact Shipham Sales Dept.

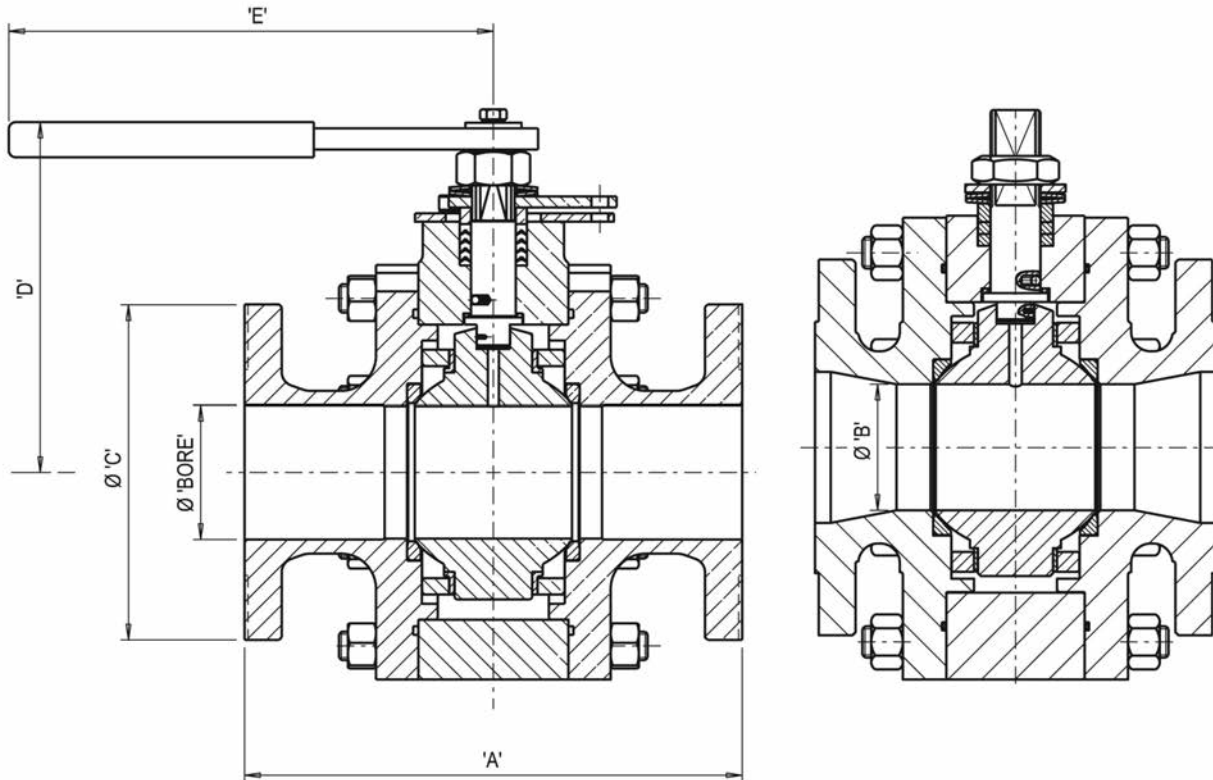


Trunnion Ball Valves

Valve Configurations						
No.	Bonnet Design	Stem Design	End Connection	Size Range	Pressure Rating	Materials Available
BT00	3-Piece	Full or Reduced Bore	Flanged ASME B16.5 (Flat or Raised Face)	DN50 – DN80 / 2" – 3"	Class 150	A B
BT02	3-Piece	Full or Reduced Bore	Flanged ASME B16.5 (Flat or Raised Face)	DN100 – DN500 / 4" – 20"	Class 150	A B
BT32	2/3-Piece	Full or Reduced Bore	Flanged ASME B16.5 (Flat or Raised Face)	DN100 – DN300 / 4" – 12"	Class 300	A B

Materials of Construction			
Code	Body / Bonnet	Disc	Hinge
A	Nickel Aluminium Bronze	Nickel Aluminium Bronze	Nickel Aluminium Bronze
B	Nickel Aluminium Bronze	Alloy 400	Alloy 400 / Alloy K500



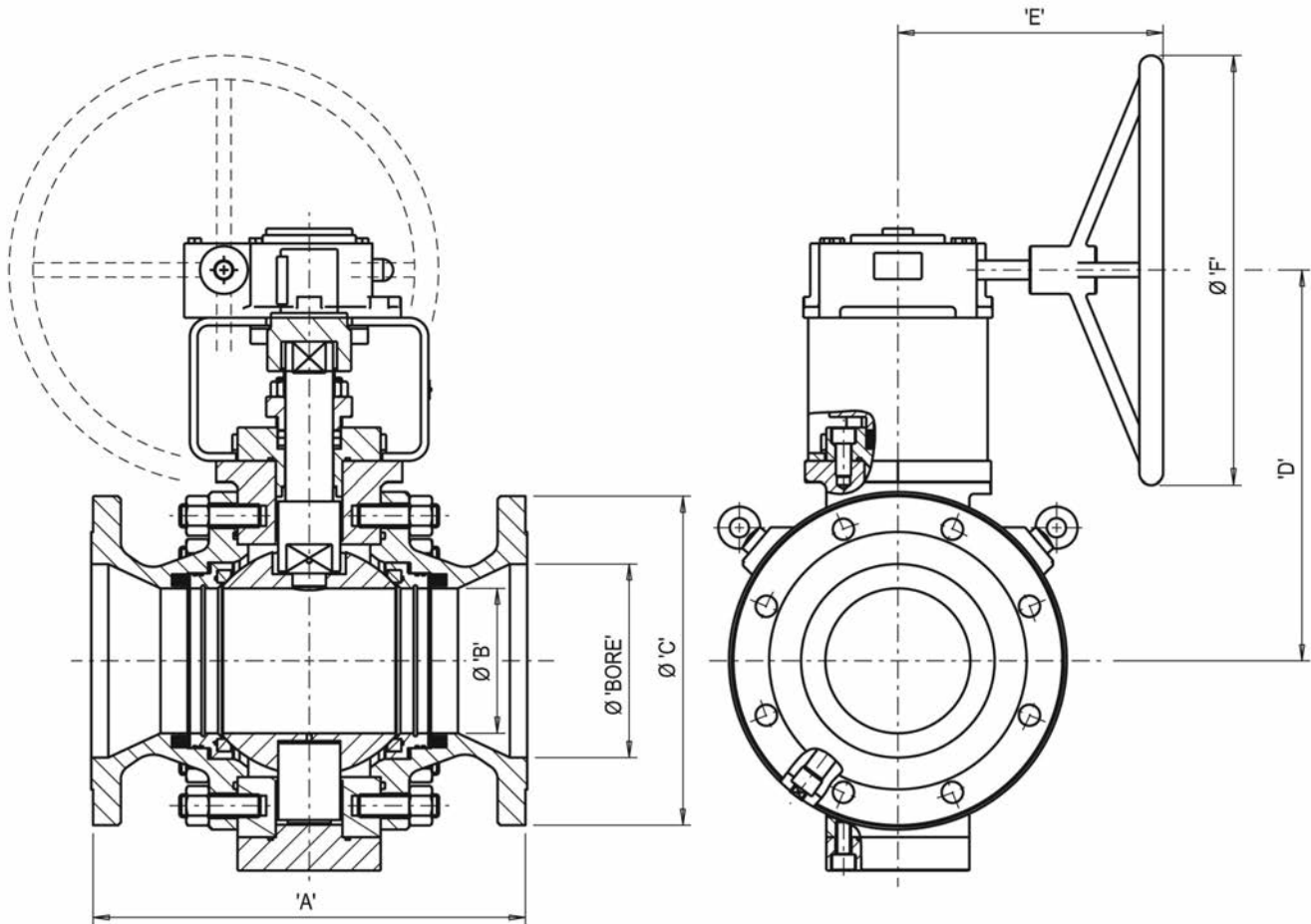
BT00 Trunnion Ball Valve**Class 150****DN50 - DN80 / 2" - 3"**

VALVE SIZE	BORE	A	B	C	D	E	*WEIGHT(KG)
DN50x40 (2"x1 1/2")	50.8	178	40	150	137	237	27.5
DN50x50 (2"x2")	50.8	178	-	152	137	237	27.5
DN80x65 (3"x3 1/2")	76.2	203	65	190	162	406	35

Design Standards BS EN ISO 17292 (BS 5351), API6D
 End Connection Flanged ASME B16.5 (Flat or Raised Face)
 Face to Face ASME B16.10
 Description Full or Reduced Bore
 3-Piece Construction
 Trunnion Mounted Ball
 PTFE or Reinforced PTFE Seats and Seals
 Lever Operated
 Open and Close Indicator

Pressure Testing API 598 / BS EN 12266-1
 OMI 4.15
 Optional Extras Anti-Static Device
 Tagging / Marking
 Various Bolting Materials
 Actuation

* Weight applies to Ni Aluminium Bronze Valves only.
 For other materials please contact Shipham Sales Dept.

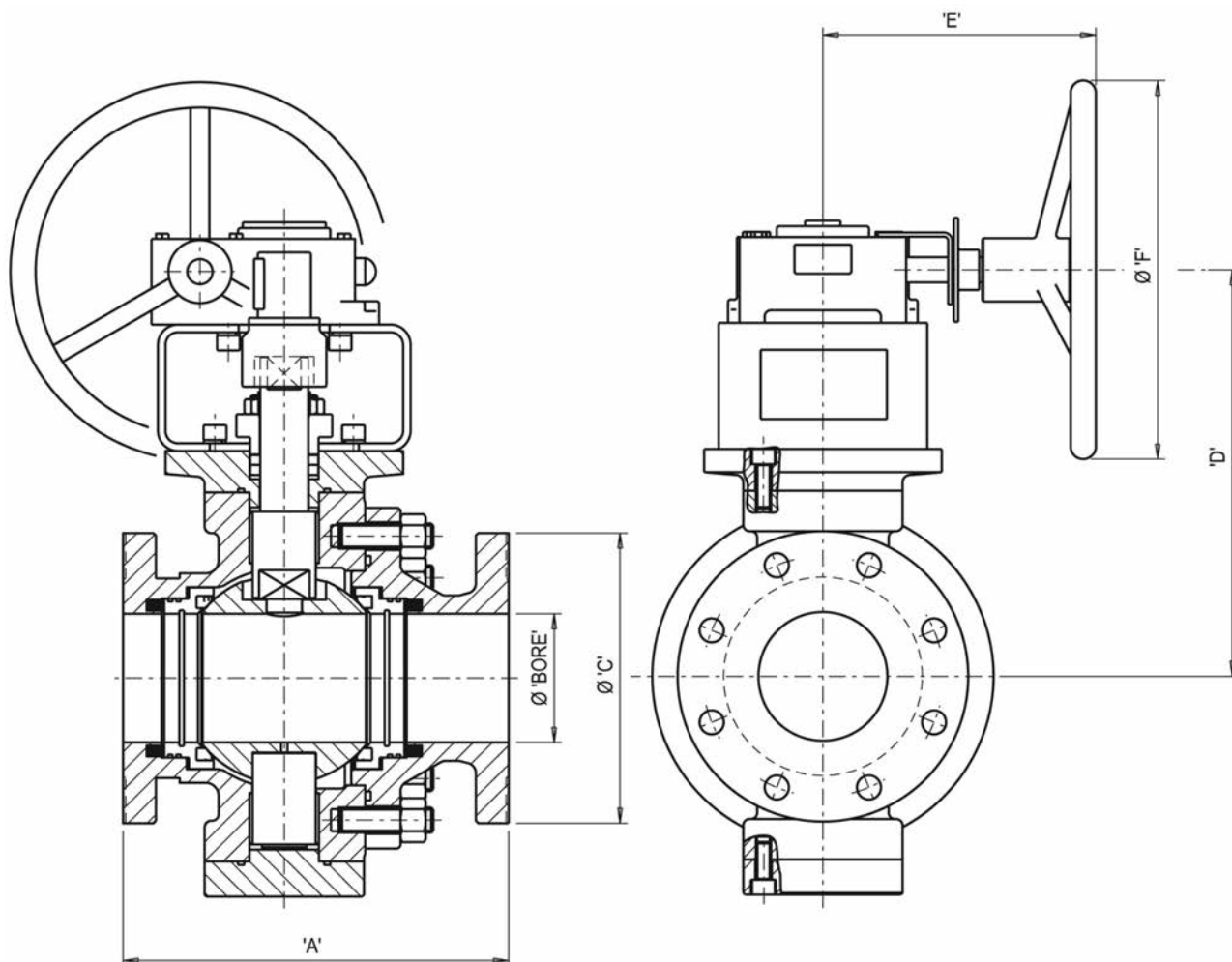
BT02 Trunnion Ball Valve**Class 150****DN100 - DN500 / 4" - 20"**

VALVE SIZE	BORE	A	B	C	D	E	F	*WEIGHT(KG)
DN100x100 (4"x4")	101.4	229	102	230	322	216	300	87
DN150x100 (6"x4")	152.0	394	102	280	322	216	300	110
DN150x150 (6"x6")	152.0	394	152	280	453	278	450	150
DN200x150 (8"x6")	203.0	457	152	345	409	278	450	220
DN200x200 (8"x8")	203.0	457	203	345	508	278	450	320
DN250x200 (10"x8")	254.0	533	203	405	437	334	450	270
DN250x250 (10"x10")	254.0	533	254	405	535	334	500	540
DN300x230 (12"x9")	304.0	640	229	483	534	426	450	377
DN350x300 (14"x12")	337.0	685	305	535	590	426	450	572
DN350x350 (14"x14")	337.0	686	337	535	643	387	700	810
DN400x400 (16"x16")	387.0	762	387	595	664	400	800	996
DN500x400 (20"x16")	489.0	914	387	700	664	400	800	1200

Design Standards BS EN ISO 17292 (BS 5351), API6D
 End Connection Flanged ASME B16.5 (Flat or Raised Face)
 Face to Face ASME B16.10
 Description Full or Reduced Bore
 3-Piece Construction (4" 2-Piece)
 Trunnion Mounted Ball
 PTFE or Reinforced PTFE Seats and Seals
 Lever Operated
 Open and Close Indicator

Pressure Testing API 598 / BS EN 12266-1
 OMI 4.15
 Optional Extras Anti-Static Device
 Tagging / Marking
 Various Bolting Materials
 Actuation

*Weight applies to Ni Aluminium Bronze Valves only.
 For other materials please contact Shipham Sales Dept.

BT32 Trunnion Ball Valve**Class 300****DN100 - DN300 / 4" - 12"**

VALVE SIZE	BORE	A	**B	C	D	E	F	*WEIGHT(KG)
DN100x100 (4"x4")	102.0	305	102	255	322	216	300	115
DN150x100 (6"x4")	152.0	403	102	320	322	216	300	120
DN150x150 (6"x6")	152.0	403	152	320	452	309	500	216
DN200x200 (8"x8")	203.0	502	203	380	508	278	450	310
DN250x200 (10"x8")	254.0	568	203	445	508	278	450	420
DN300x300 (12"x12")	305.0	648	305	520	590	426	450	760

Design Standards BS EN ISO 17292 (BS 5351), API6D
 End Connection Flanged ASME B16.5 (Flat or Raised Face)
 Face to Face ASME B16.10
 Description Full or Reduced Bore
 2/3-Piece Construction
 Trunnion Mounted Ball
 PTFE or Reinforced PTFE Seats and Seals
 Lever Operated
 Open and Close Indicator

Pressure Testing API 598 / BS EN 12266-1
 OMI 4.15
 Optional Extras Anti-Static Device
 Tagging / Marking
 Various Bolting Materials
 Actuation

*Weight applies to Ni Aluminium Bronze Valves only.
 For other materials please contact Shipham Sales Dept.
 ** Dimension refers to valves which are of Reduced Bore feature (this dimension is the smaller diameter of the bore)

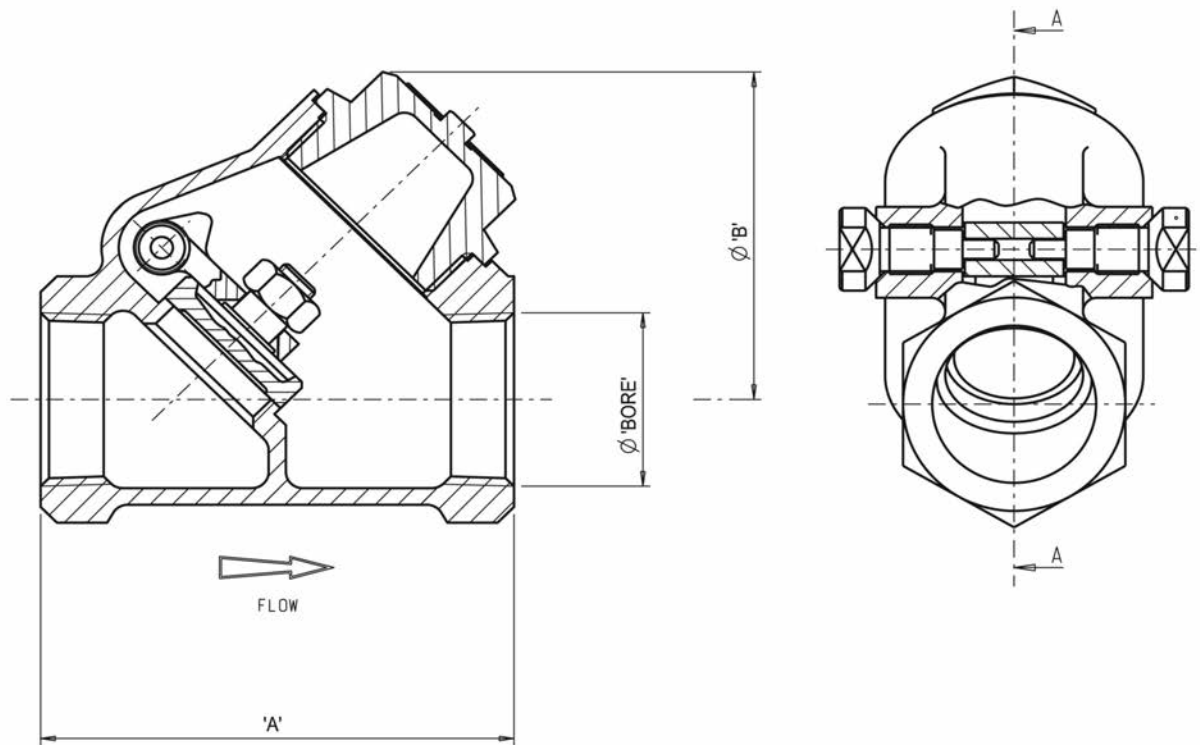


Swing Check Valves

Valve Configurations						
No. Design	Bonnet Type	Screw	End Connection	Size Range Rating	Pressure	Materials Available
SC01	Union	Swing	Screwed Female or Socket Weld	DN15 – DN80 / ½” – 3”	Class 150 / PN32	A B C D E F G H J
SC04	Bolted	Swing	Flanged ASME B16.5 (Flat or Raised Face)	DN25 – DN500 / 1” – 20”	Class 150	A B
SC05	Bolted	Swing	Flanged ASME B16.5 (Flat or Raised Face)	DN15 – DN600 / ½” – 24”	Class 150	K L M N P Q R T Z
SC31	Union	Swing	Screwed Female or Socket Weld	DN6 – DN50 / ¼” – 2”	Class 300	F G H
SC34	Bolted	Swing	Flanged ASME B16.5 (Flat or Raised Face)	DN50 – DN500 / 2” – 20”	Class 300	A B
SC35	Bolted	Swing	Flanged ASME B16.5 (Flat or Raised Face)	DN15 – DN600 / ½” – 24”	Class 300	A B K L M N P Q R T Z
SC65	Bolted	Swing	Flanged ASME B16.5 (Flat or Raised Face)	DN25 – DN300 / 1” – 12”	Class 600	A B K L M N P Q R T Z

Materials of Construction			
Code	Body / Bonnet	Disc	Hinge
A	Nickel Aluminium Bronze	Nickel Aluminium Bronze	Nickel Aluminium Bronze
B	Nickel Aluminium Bronze	Alloy 400	Alloy 400
C	Bronze ASTM B62	Bronze ASTM B62	Nickel Aluminium Bronze
D	Bronze ASTM B62	Nickel Aluminium Bronze	Nickel Aluminium Bronze
E	Bronze ASTM B62	Alloy 400	Alloy 400
F	Bronze ASTM B61	Bronze ASTM B61	Nickel Aluminium Bronze
G	Bronze ASTM B61	Nickel Aluminium Bronze	Nickel Aluminium Bronze
H	Bronze ASTM B61	Alloy 400	Alloy 400
J	Phosphor Bronze	Phosphor Bronze	Phosphor Bronze
K	Alloy 400	Alloy 400	Alloy 400
L	Titanium	Titanium	Titanium
M	Alloy 20	Alloy 20	Alloy 20
N	Alloy 625	Alloy 625	Alloy 625
P	6Mo Stainless Steel	6Mo Stainless Steel	6Mo Stainless Steel
Q	Duplex Stainless Steel	Duplex Stainless Steel	Duplex Stainless Steel
R	Nickel Moly Alloy B&C	Nickel Moly Alloy B&C	Nickel Moly Alloy B&C
T	Alloy 825	Alloy 825	Alloy 825
Z	Zirconium	Zirconium	Zirconium



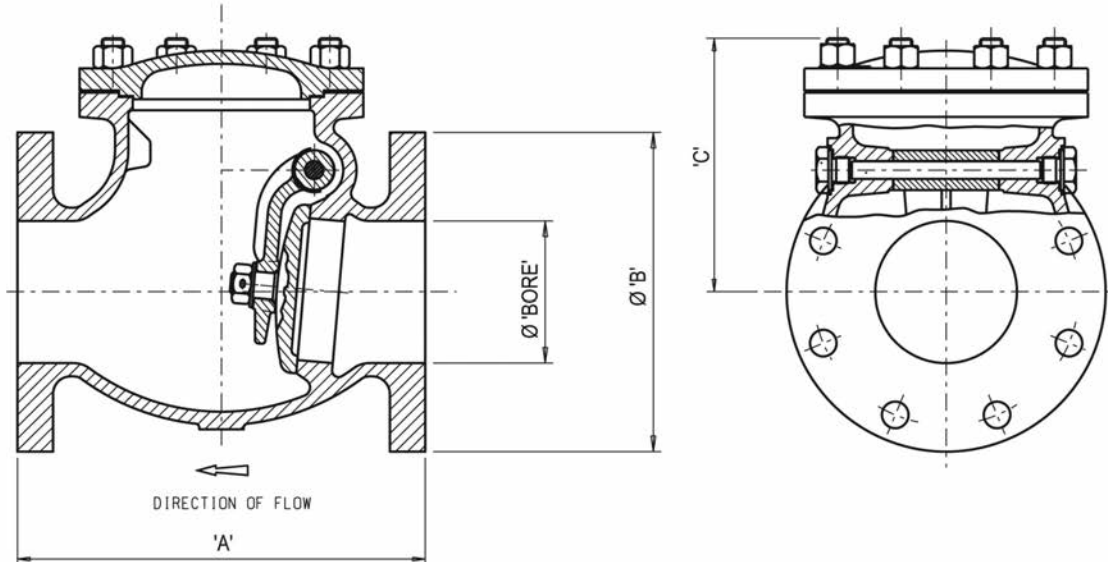
SC01 Swing Check Valve**Class 150/PN32****DN15 - DN80 / 0.5" - 3"**

VALVE SIZE	BORE	A	B	*WEIGHT(KG)
DN15 (1/2")	1 1/2" NPT	71	52	0.6
DN20 (3/4")	3/4" NPT	71	52	0.6
DN25 (1")	1" NPT	87	63	0.8
DN40 (1 1/2")	1 1/2" NPT	120	67	2.1
DN50 (2")	2" NPT	149	104	3.3
DN80 (3")	3" NPT	228	167	9.5

Design Standards MSS SP80 / BS 5154
 End Connection Screwed Female or Socket Weld
 Description Union Bonnet
 Integral Seat
 Swing Check Disc

Pressure Testing API 598 / BS EN 12266-1
 OMI 3.1
 Optional Extras Painting
 Tagging / Marking

*Weight applies to Ni Aluminium Bronze Valves only.
 For other materials please contact Shipham Sales Dept.

SC04 Swing Check Valve**Class 150****DN25 - DN500 / 1" - 20"**

VALVE SIZE	BORE	A	B	C	*WEIGHT(KG)
DN25 (1")	25.4	127	108	100	4.8
DN40 (1 1/2")	38.1	165	127	100	10
DN50 (2")	50.8	203	152	131	12.5
DN65 (2 1/2")	65.3	216	178	138	18
DN80 (3")	76.2	241	190	158	21
DN100 (4")	101.6	292	229	182	35
DN125 (5")	127.0	330	254	203	45
DN150 (6")	152.4	356	279	222	57
DN200 (8")	203.2	495	343	275	108
DN250 (10")	254.0	622	406	368	220
DN300 (12")	304.8	698	483	415	295
DN350 (14")	336.5	787	533	460	400
DN400 (16")	387.5	864	597	514	550
DN450 (18")	438.0	978	635	569	650
DN500 (20")	483.0	978	699	636	750

Design Standards MSS SP80 / BS 5154
 End ConnecUon Flanged ASME B16.5 (Flat or Raised Face)
 Face to Face ASME B16.10
 Description Bolted Bonnet
 Integral Seat
 Swing Check Disc
 Pressure Testing API 598 / BS EN 12266-1

OMI
 Optional Extras

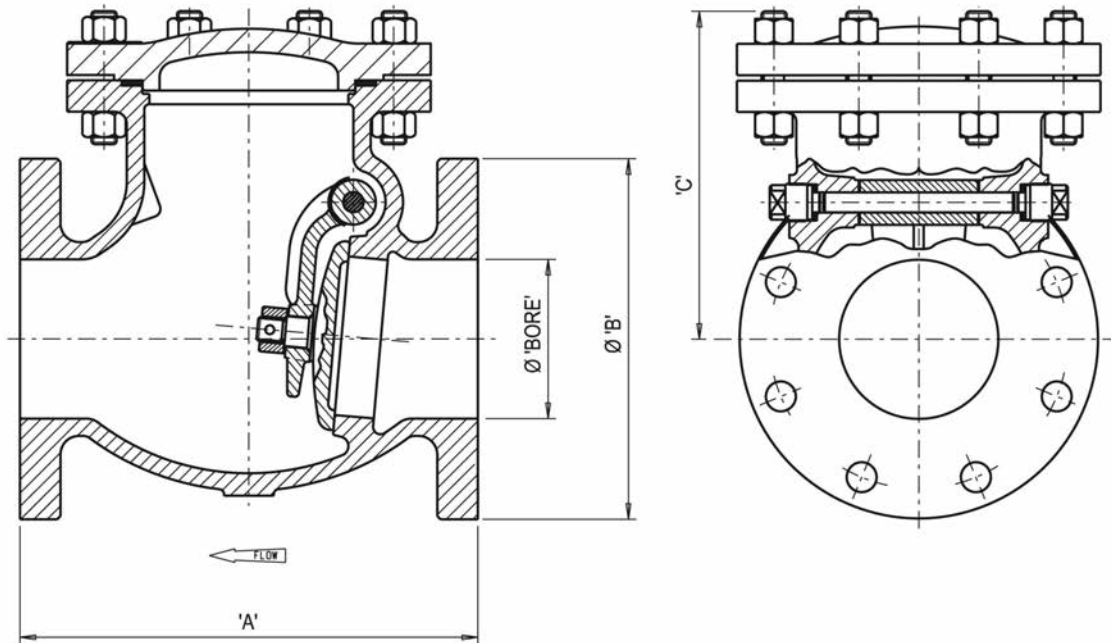
3.4
 Painting
 Tagging / Marking
 Renewable Seats DN50 / 2" and above
 Spring Assisted
 Anti-Slam
 Various Bolting Materials
 Various Gasket Materials

*Weight applies to Ni Aluminium Bronze Valves only.
 For other materials please contact Shipham Sales Dept.

SC05 Swing Check Valve

Class 150

DN15 - DN600 / 0.5" - 24"

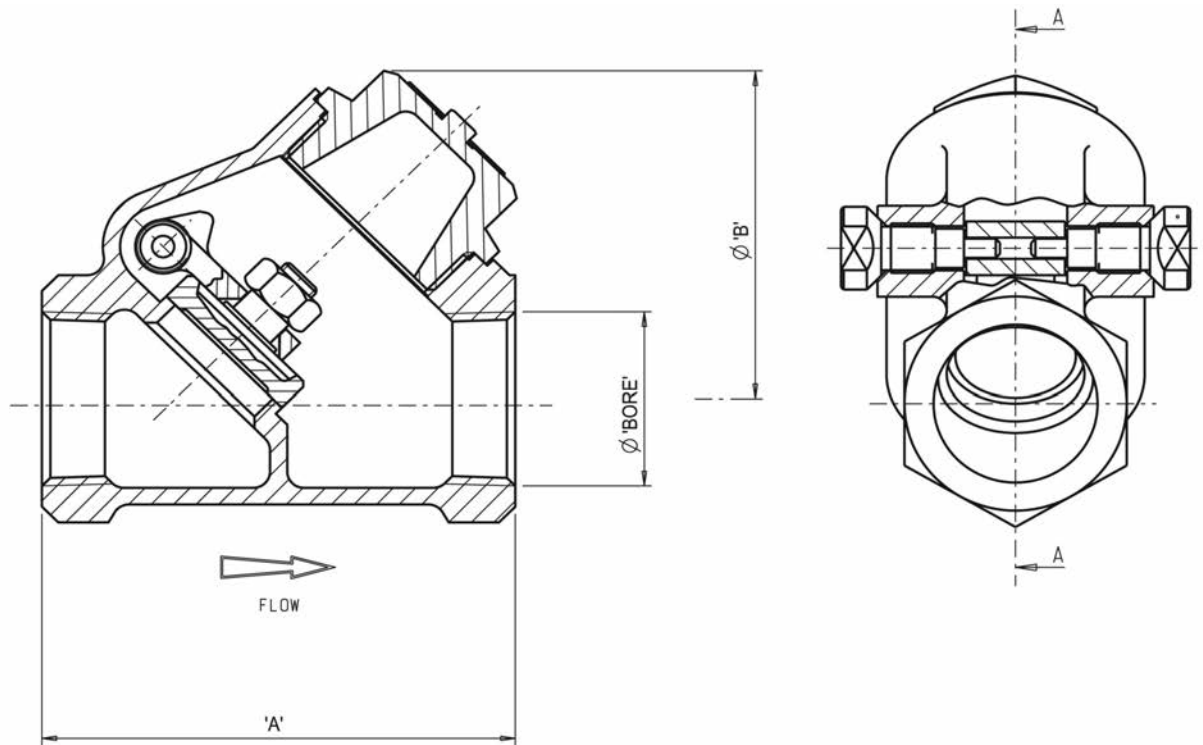


VALVE SIZE	BORE	A	B	C	*WEIGHT(KG)
DN15 (1/2")	12.7	**140	90	94	5
DN20 (3/4")	20.0	**152	99	103	6
DN25 (1")	25.4	**165	108	103	7
DN40 (1 1/2")	38.1	165	127	95	9
DN50 (2")	50.8	203	150	171	22
DN65 (2 1/2")	63.5	216	178	138	28
DN80 (3")	76.2	241	190	178	36
DN100 (4")	101.6	292	230	209	52
DN150 (6")	152.4	356	280	251	100
DN200 (8")	203.2	533	381	370	190
DN250 (10")	254.0	622	406	369	300
DN300 (12")	304.8	698	483	420	400
DN350 (14")	336.5	787	533	460	500
DN400 (16")	387.4	864	597	560	600
DN450 (18")	438.2	978	635	569	900
DN500 (20")	483.0	978	699	636	1200
DN600 (24")	597.0	1295	815	848	1500

Design Standards BS 1868
 End Connection Flanged ASME B16.5 (Flat or Raised Face)
 Description Bolted Bonnet
 Integral Seat
 Swing Check Disc

Pressure Testing API 598 / BS EN 12266-1
 OMI 3.4
 Optional Extras Painting
 Tagging / Marking
 Renewable Seats DN50 / 2" and above
 Spring Assisted
 Anti-Slam
 Various Bolting Materials
 Various Gasket Materials

* Weight applies to Ni Aluminium Bronze Valves only.
 For other materials please contact Shipham Sales Dept.
 ** Y Pattern Body

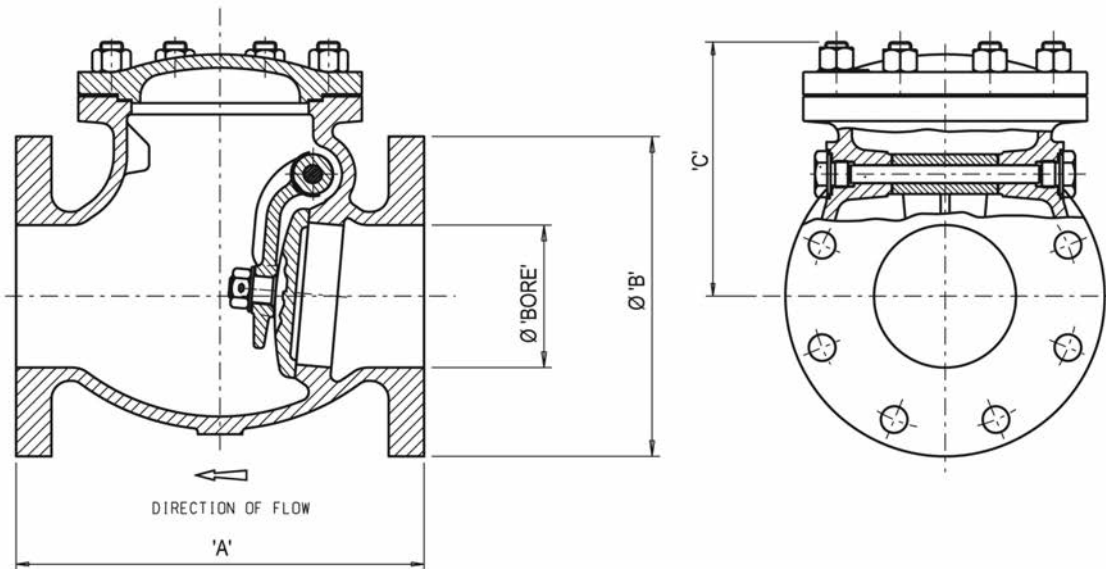
SC31 Swing Check Valve**Class 300****DN6 - DN50 / 0.25" - 2"**

VALVE SIZE	BORE	A	B	*WEIGHT(KG)
DN6 (1/4")	1/4" NPT	75	57	1
DN8 (3/8")	3/8" NPT	75	57	1
DN15 (1/2")	1/2" NPT	75	57	1
DN20 (3/4")	3/4" NPT	84	64	1.5
DN25 (1")	1" NPT	103	77	2
DN40 (1 1/2")	1 1/2" NPT	121	103	3
DN50 (2")	2" NPT	150	126	4

Design Standards MSS SP80 / BS 5154
 End Connection Screwed Female or Socket Weld
 Description Union Bonnet
 Integral Seat
 Swing Check Disc

Pressure Testing API 598 / BS EN 12266-1
 OMI 3.1
 Optional Extras Painting
 Tagging / Marking

*Weight applies to Ni Aluminium Bronze Valves only.
 For other materials please contact Shipham Sales Dept.

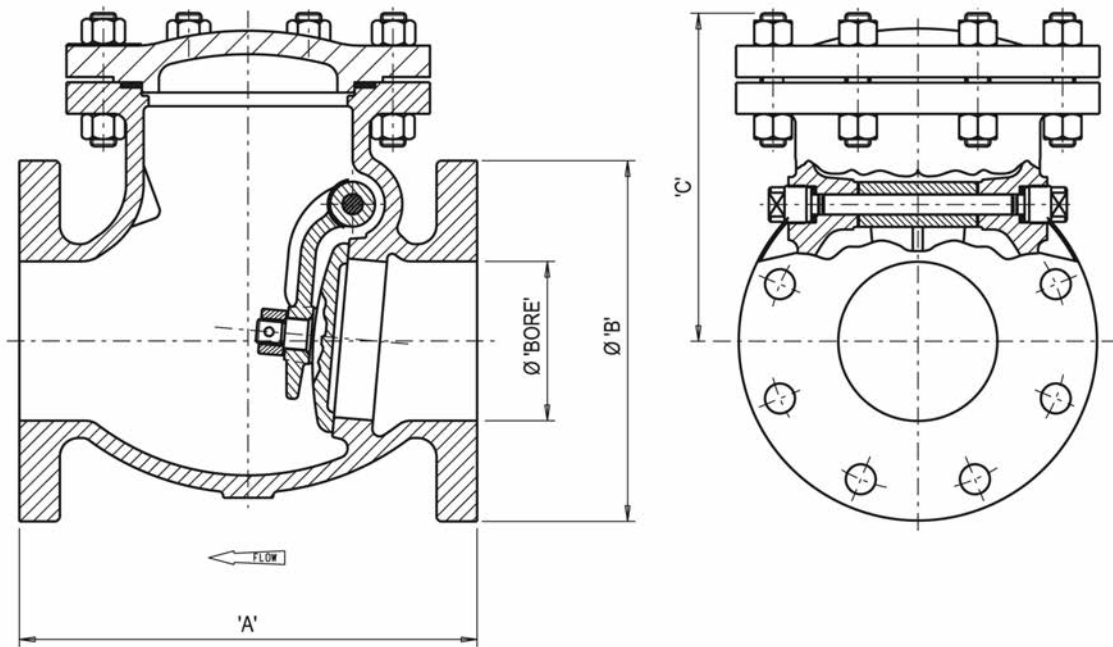
SC34 Swing Check Valve**Class 300****DN50 - DN500 / 2" - 20"**

VALVE SIZE	BORE	A	B	C	*WEIGHT(KG)
DN50 (2")	50.8	267	165	131	17
DN80 (3")	76.2	318	210	234	40
DN100 (4")	101.6	356	254	212	78
DN150 (6")	152.4	444	320	318	126
DN200 (8")	203.2	533	381	370	218
DN250 (10")	254.0	622	445	508	330
DN300 (12")	304.8	711	520	521	500
DN350 (14")	336.5	838	585	540	700
DN400 (16")	387.5	864	650	540	850
DN500 (20")	483.0	1016	795	674	1100

Design Standards	MSS SP80 / BS 5154
End Connection	Flanged ASME B16.5 (Flat or Raised Face)
Face to Face	ASME B16.10
Description	Bolted Bonnet Integral Seat Swing Check Disc
Pressure Testing	API 598 / BS EN 12266-1

OMI	3.4
Optional Extras	Painting Tagging / Marking Renewable Seats DN50 / 2" and above Spring Assisted Anti-Slam Various Bolting Materials Various Gasket Materials

* Weight applies to Ni Aluminium Bronze Valves only.
 For other materials please contact Shipham Sales Dept.

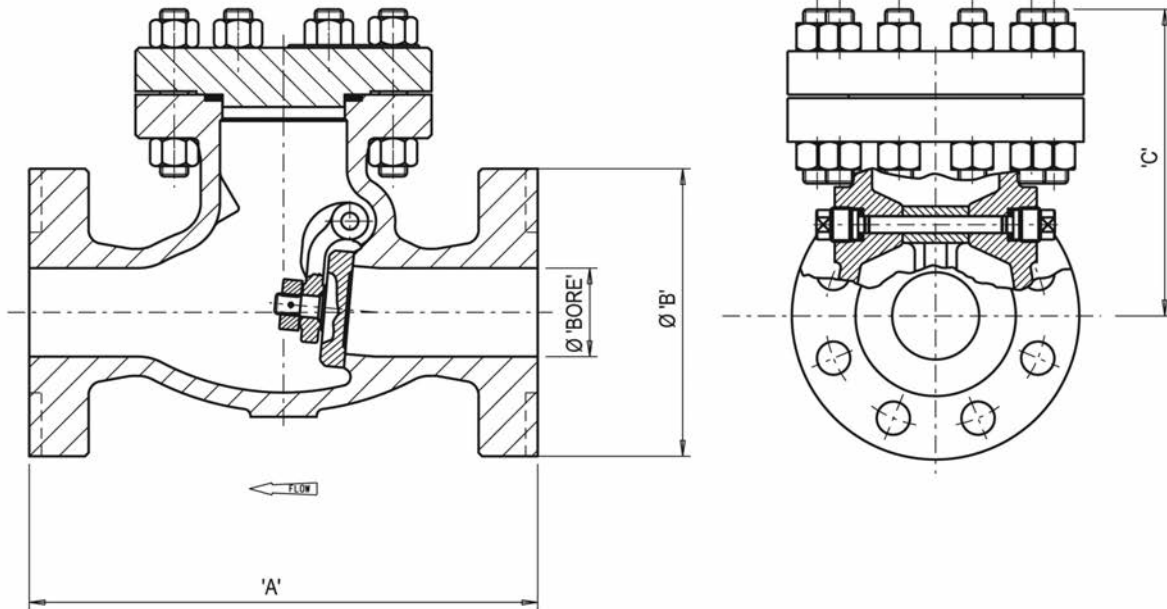
SC35 Swing Check Valve**Class 300****DN15 - DN600 / 0.5" - 24"**

VALVE SIZE	BORE	A	B	C	*WEIGHT(KG)
DN15 (1/2")	12.7	**152	95	94	6
DN20 (3/4")	20.0	**178	115	103	8
DN25 (1")	25.4	**215	125	103	10
DN50 (2")	50.8	267	165	176	24
DN80 (3")	76.2	318	210	234	40
DN100 (4")	101.6	356	255	237	80
DN150 (6")	152.4	444	320	312	126
DN200 (8")	203.2	533	381	370	220
DN250 (10")	254.0	622	445	508	330
DN300 (12")	304.8	711	520	521	500
DN350 (14")	336.5	838	585	540	700
DN400 (16")	387.4	864	650	540	850
DN600 (24")	597.0	1346	915	772	1100

Design Standards BS 1868
 End Connection Flanged ASME B16.5 (Flat or Raised Face)
 Description Bolted Bonnet
 Integral Seat
 Swing Check Disc

Pressure Testing API 598 / BS EN 12266-1
 OMI 3.4
 Optional Extras Painting
 Tagging / Marking
 Renewable Seats DN50 / 2" and above
 Anti-Slam
 Various Bolting Materials
 Various Gasket Materials

* Weight applies to Ni Aluminium Bronze Valves only.
 For other materials please contact Shipham Sales Dept.
 ** Y Pattern Body

SC65 Swing Check Valve**Class 600****DN25 - DN300 / 1" - 12"**

VALVE SIZE	BORE	A	B	C	*WEIGHT(KG)
DN25 (1")	25.4	216	125	103	20
DN50 (2")	50.8	292	165	176	32
DN80 (3")	76.2	356	210	220	63
DN100 (4")	101.6	432	275	254	110
DN150 (6")	152.4	559	355	363	220
DN200 (8")	200.0	660	420	487	385
DN300 (12")	300.0	838	560	631	620

Design Standards BS 1868
 End Connection Flanged ASME B16.5 (Flat or Raised Face)
 Description Bolted Bonnet
 Integral Seat
 Swing Check Disc

Pressure Testing API 598 / BS EN 12266-1
 OMI 3.4
 Optional Extras Painting
 Tagging / Marking
 Renewable Seats DN50 / 2" and above
 Spring Assisted
 Anti-Slam
 Various Bolting Materials
 Various Gasket Materials

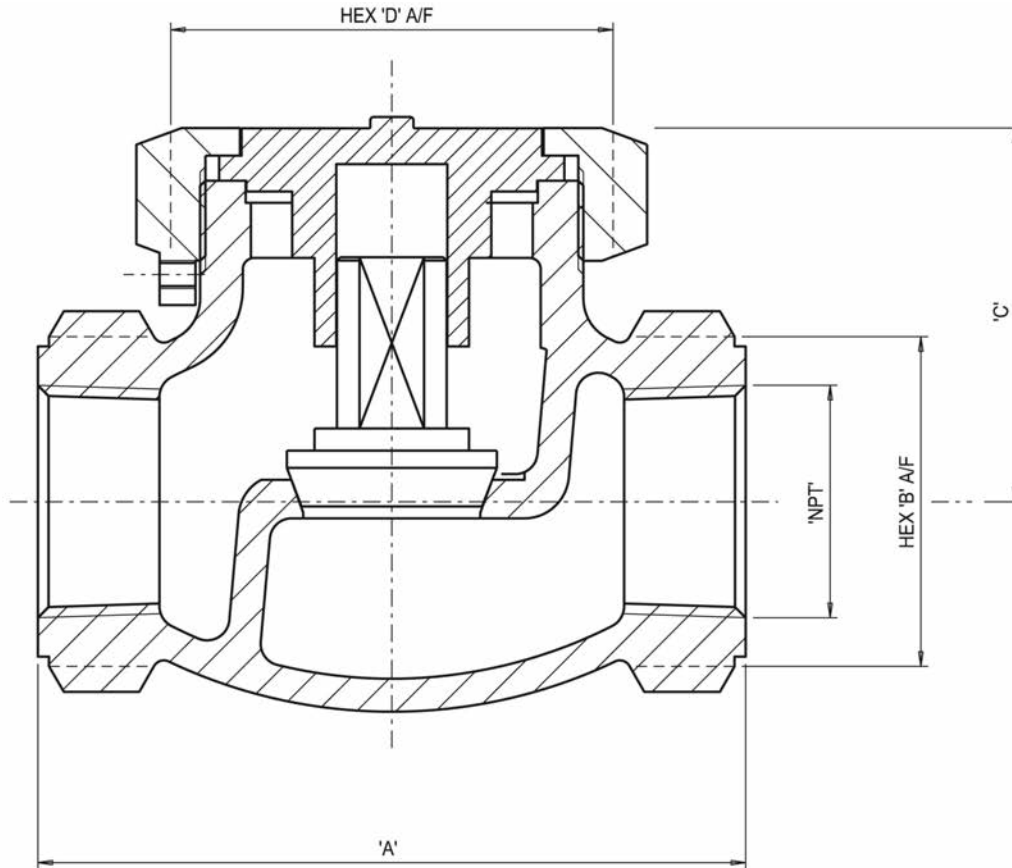
* Weight applies to Ni Aluminium Bronze Valves only.
 For other materials please contact Shipham Sales Dept.



Lift Check Valves

Valve Configurations						
No. Design	Bonnet Type	Screw	End Connection	Size Range Rating	Pressure	Materials Available
LC01	Union	Lift	Screwed Female or Socket Weld	DN15 – DN50 / ½” – 2”	Class 150 / PN32	A B D E G H J
LC04	Bolted	Lift	Flanged ASME B16.5 (Flat or Raised Face)	DN15 – DN150 / ½” – 6”	Class 150 / PN32	A B D E F G H J K L M N P Q R T Z
LC09	Bolted	Lift	Screwed Female or Socket Weld	DN15 – DN80 / ½” – 3”	Class 150 / PN32	A B D E G H J
LC31	Union	Lift	Screwed Female or Socket Weld	DN15 – DN40 / ½” – 2”	Class 300	A B D E G H J

Materials of Construction			
Code	Body / Bonnet	Disc	Hinge
A	Nickel Aluminium Bronze	Nickel Aluminium Bronze	Nickel Aluminium Bronze
B	Nickel Aluminium Bronze	Alloy 400	Alloy 400
D	Bronze ASTM B62	Nickel Aluminium Bronze	Nickel Aluminium Bronze
E	Bronze ASTM B62	Alloy 400	Alloy 400
F	Bronze ASTM B61	Bronze ASTM B61	Nickel Aluminium Bronze
G	Bronze ASTM B61	Nickel Aluminium Bronze	Nickel Aluminium Bronze
H	Bronze ASTM B61	Alloy 400	Alloy 400
J	Phosphor Bronze	Phosphor Bronze	Phosphor Bronze
K	Alloy 400	Alloy 400	Alloy 400
L	Titanium	Titanium	Titanium
M	Alloy 20	Alloy 20	Alloy 20
N	Alloy 625	Alloy 625	Alloy 625
P	6Mo Stainless Steel	6Mo Stainless Steel	6Mo Stainless Steel
Q	Duplex Stainless Steel	Duplex Stainless Steel	Duplex Stainless Steel
R	Nickel Moly Alloy B&C	Nickel Moly Alloy B&C	Nickel Moly Alloy B&C
T	Alloy 825	Alloy 825	Alloy 825
Z	Zirconium	Zirconium	Zirconium

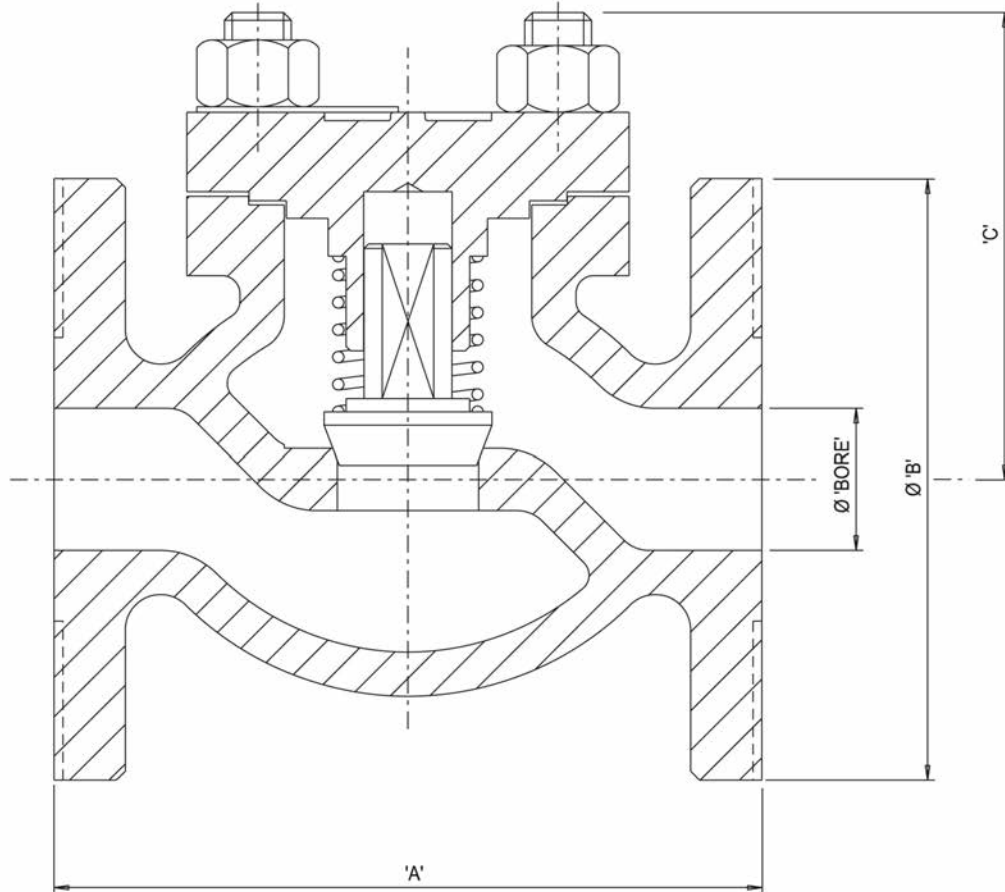
LC01 Lift Check Valve**Class 150 / PN32****DN15 - DN50 / 0.5" - 2"**

VALVE SIZE	NPT	A	B	C	D	*WEIGHT(KG)
DN15 (1/2")	1/2"	85	33	42	44	1.2
DN20 (3/4")	3/4"	96	37	48	52	1.2
DN25 (1")	1"	101	47	55	63	1.5
DN40 (1 1/2")	1 1/2"	133	60	70	82	3.3
DN50 (2")	2"	155	77	80	101	5.2

Design Standards MSS SP80 / BS 5154
 End Connection Screwed Female or Socket Weld
 Description Union Bonnet
 Integral Seat
 Plug Check Disc

Pressure Testing API 598 / BS EN 12266-1
 OMI 3.8
 Optional Extras Painting
 Tagging / Marking
 Spring Loaded

*Weight applies to Ni Aluminium Bronze Valves only.
 For other materials please contact Shipham Sales Dept.

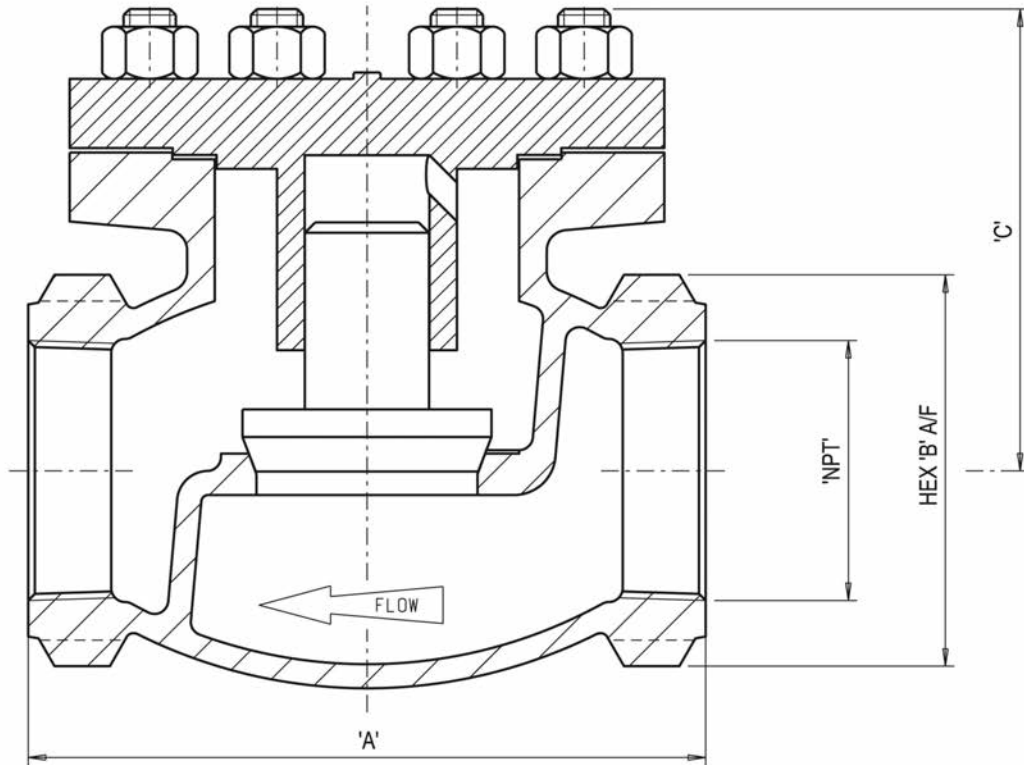
LC04 Lift Check Valve**Class 150 / PN32****DN15 - DN150 / 0.5" - 6"**

VALVE SIZE	BORE	A	B	C	*WEIGHT(KG)
DN15 (1/2")	12.7	108	90	106	3
DN20 (3/4")	19.0	117	100	112	4
DN25 (1")	25.4	127	107	84	4.6
DN40 (1 1/2")	38.1	165	127	123	9
DN50 (2")	50.8	203	152	150	12
DN80 (3")	76.2	241	190.	156	28
DN100 (4")	101.6	292	229	184	26
DN150 (6")	152.4	406	279	204	60

Design Standards BS5154
 End Connection Flanged ASME B16.5 (Flat or Raised Face)
 Face to Face ASME B16.10
 Pressure Rating Class 150 / PN32
 Description Bolted Bonnet
 Integral Seat
 Plug Check Disc

Pressure Testing API 598 / BS EN 12266-1
 OMI 3.11
 Optional Extras Painting
 Tagging / Marking
 Spring Loaded

* Weight applies to Ni Aluminium Bronze Valves only.
 For other materials please contact Shipham Sales Dept.

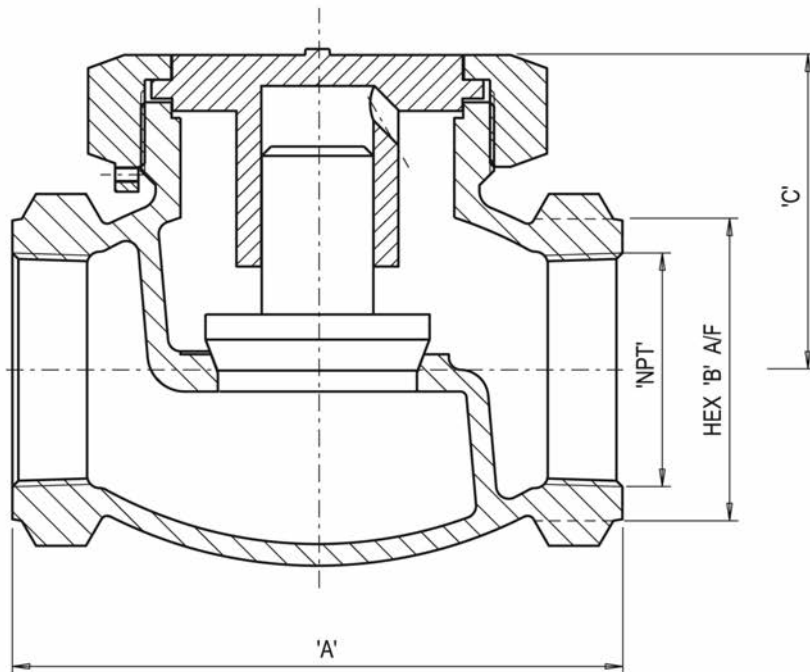
LC09 Lift Check Valve**Class 150 / PN32****DN15 - DN80 / 0.5" - 3"**

VALVE SIZE	NPT	A	B	C	*WEIGHT(KG)
DN15 (1/2")	1/2"	100	33	94	2
DN20 (3/4")	3/4"	96	39	75	3
DN25 (1")	1"	127	47	84	4
DN40 (1 1/2")	1 1/2"	133	65	99	5
DN50 (2")	2"	155	77	106	6
DN80 (3")	3"	212	114	125	8

Design Standards MSS SP80 / BS 5154
 End Connection Screwed Female or Socket Weld
 Description Bolted Bonnet
 Integral Seat
 Plug Check Disc

Pressure Testing API 598 / BS EN 12266-1
 OMI 3.11
 Optional Extras Painting
 Tagging / Marking
 Spring Loaded

*Weight applies to Ni Aluminium Bronze Valves only.
 For other materials please contact Shipham Sales Dept.

LC31 Lift Check Valve**Class 300****DN15 - DN50 / 0.5" - 2"**

VALVE SIZE	NPT	A	B	C	*WEIGHT(KG)
DN15 (1/2")	1/2"	100	33	50	1
DN20 (3/4")	3/4"	100	38	50	1.2
DN25 (1")	1"	101	42	54	1.5
DN40 (1 1/2")	1 1/2"	133	65	70	4.5
DN50 (2")	2"	155	77	80	5.5

Design Standards MSS SP80 / BS 5154
 End Connection Screwed Female or Socket Weld
 Pressure Rating Class 300
 Description Union Bonnet
 Integral Seat
 Plug Check Disc

Pressure Testing API 598 / BS EN 12266-1:2003
 OMI 1.5
 Optional Extras Tagging / Marking
 Painting
 Spring Loaded

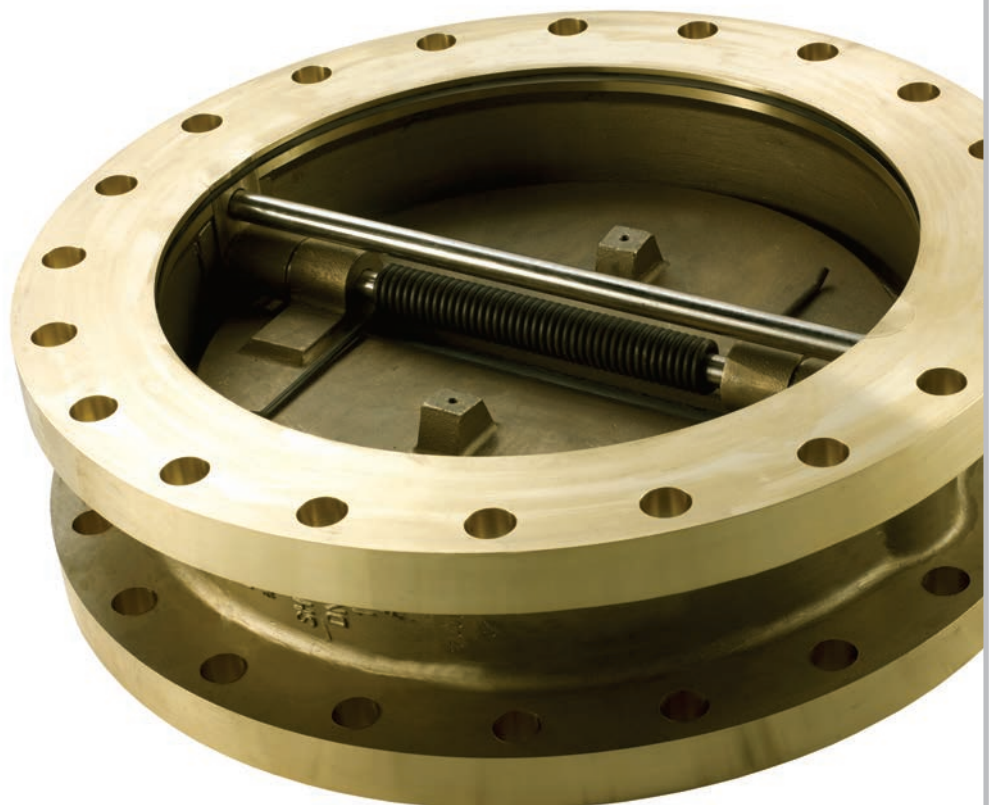
*Weight applies to Ni Aluminium Bronze Valves only.
 For other materials please contact Shipham Sales Dept.

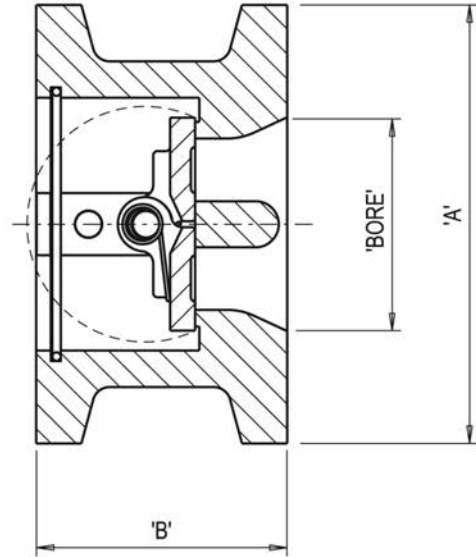
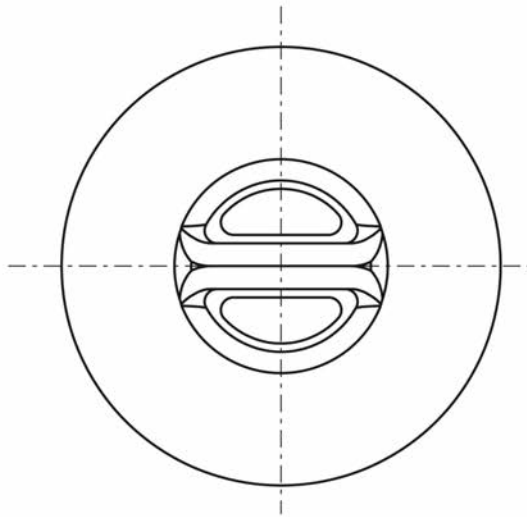


Dual Plate Wafer Check Valves

Valve Configurations					
No.	Design	End Connection	Size Range	Pressure Rating	Materials Available
WC01	Retainerless	Wafer	DN50 – DN1050 / 2" – 42"	Class 150	A B L R
WC02	Retainerless	Wafer Lugged	DN50 – DN500 / 2" – 20"	Class 150	A B L R
WC03	Retainerless	Double Flanged	DN450 – DN750 / 18" – 30"	Class 150	A B L R
WC31	Retainerless	Wafer	DN50 / 2"	Class 300	A B L R
WC32	Retainerless	Wafer	DN80 – DN200 / 3" – 8"	Class 300	A B L R

Materials of Construction			
Code	Body / Bonnet	Disc	Hinge
A	Nickel Aluminium Bronze	Nickel Aluminium Bronze	Nickel Aluminium Bronze
B	Nickel Aluminium Bronze	Alloy 400	Alloy 400
L	Titanium	Titanium	Titanium
R	Nickel Moly Alloy B&C	Nickel Moly Alloy B&C	Nickel Moly Alloy B&C



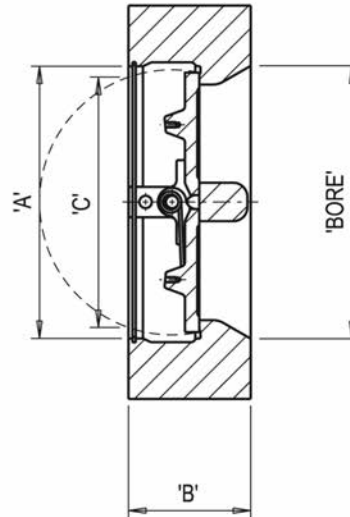
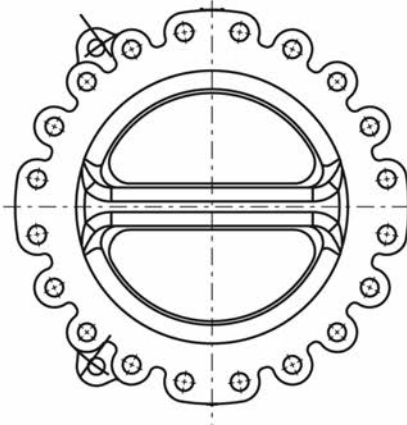
WC01 Wafer Check Valve**Class 150****DN50 - DN1050 / 2" - 42"**

VALVE SIZE	BORE	A	B	*WEIGHT(KG)
DN50 (2")	51	105	60	4.5
DN80 (3")	76	137	73	4.5
DN100 (4")	102	175	73	7
DN150 (6")	152	222	99	14
DN200 (8")	203	280	127	78
DN250 (10")	254	340	146	45
DN300 (12")	305	410	181	78
DN400 (16")	387	514	191	130
DN450 (18")	438	550	203	152
DN500 (20")	489	606	219	198
DN600 (24")	591	718	222	282
DN900 (36")	873	1048	368	925
DN1050 (42")	1020	1219	432	1430

Design Standards API 594
 End Connection Wafer
 Description Dual Plate Check
 Integral Seat
 Retainerless Body
 Spring Assisted
 Lifting Lugs For 8" / DN200 and above

Pressure Testing API 598 / BS EN 12266-1:2003
 OMI 3.20
 Optional Extras Painting
 Tagging / Marking
 Optional Soft Seat

*Weight applies to Ni Aluminium Bronze Valves only.
 For other materials please contact Shipham Sales Dept.

WC02 Wafer Check Valve**Class 150****DN50 - DN500 / 2" - 20"**

VALVE SIZE	BORE	A	B	C	*WEIGHT(KG)
DN50 (2")	51	61	60	25	4.5
DN80 (4")	76	89	73	72	13
DN100 (4")	102	114	73	97	18
DN150 (6")	152	167	98	146	32
DN200 (8")	203	214	127	194	52.8
DN250 (10")	254	264	146	240	82
DN300 (12")	305	313	181	288	140
DN350 (14")	337	343	184	308	173
DN400 (16")	387	392	191	381	225
DN450 (18")	438	438	203	428	250
DN500 (20")	489	488	219	478	336

Design Standards API 594
 End Connection Wafer Lugged
 Description Dual Plate Check
 Integral Seat
 Retainerless Body
 Spring Assisted
 Lifting Lugs For 8" / DN200 and above

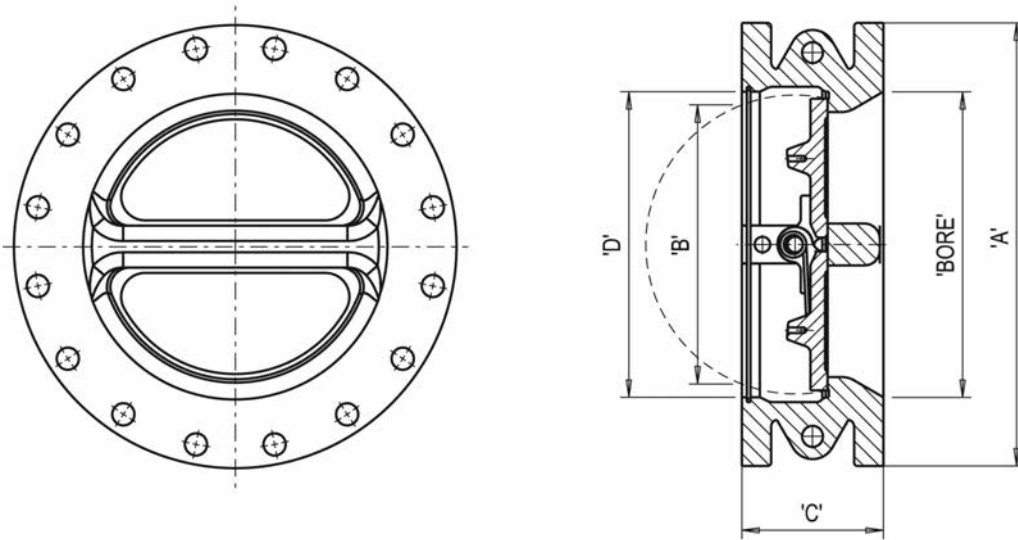
Pressure Testing API 598 / BS EN 12266-1:2003
 OMI 3.20
 Optional Extras Painting
 Tagging / Marking
 Optional Soft Seat

*Weight applies to Ni Aluminium Bronze Valves only.
 For other materials please contact Shipham Sales Dept.

WC03 Wafer Check Valve

Class 150

DN450 - DN750 / 18" - 30"



VALVE SIZE	BORE	A	B	C	D	*WEIGHT(KG)
DN450 (18")	438	635	428	203	438	192
DN600 (24")	591	815	574	222	591	360
DN750 (30")	735	985	730	305	735	720

Design Standards API 594
End Connection Double Flanged
Description Dual Plate Check
Integral Seat
Retainerless Body
Spring Assisted
Lifting Lugs for 8" / DN200 and above

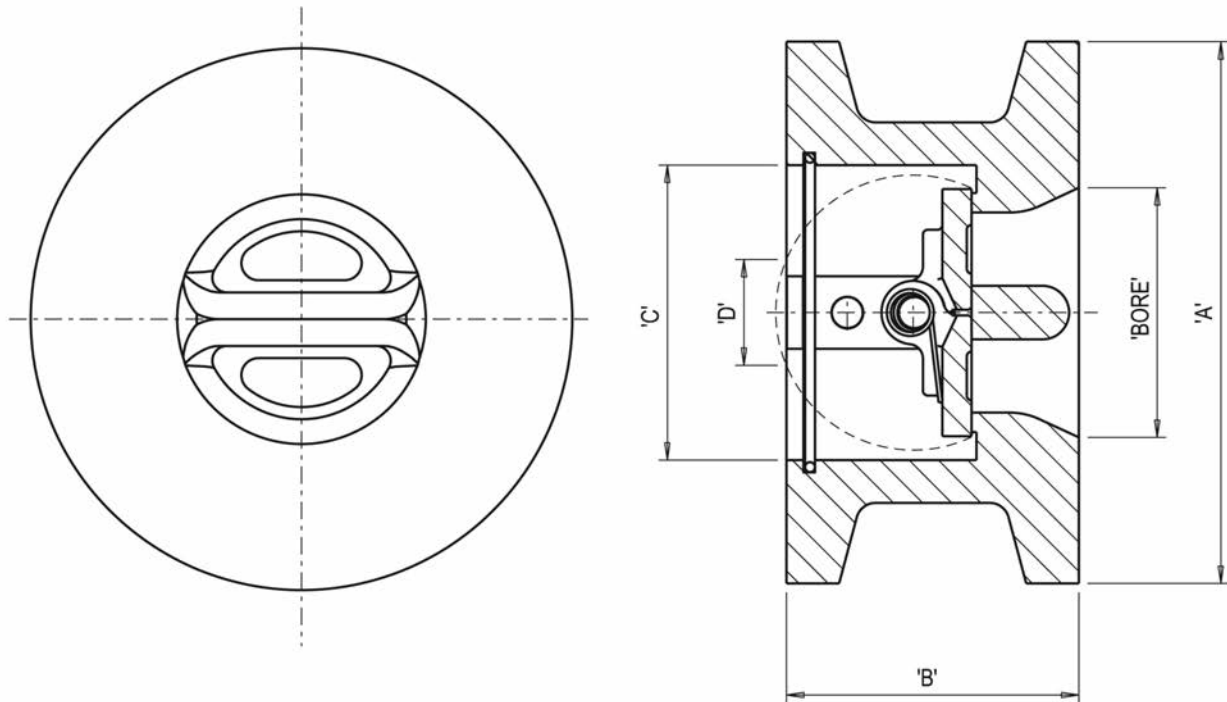
Pressure Testing API 598 / BS EN 12266-1:2003
OMI 3.20
Optional Extras Painting
Tagging / Marking
Optional Soft Seat

* Weight applies to Ni Aluminium Bronze Valves only.
For other materials please contact Shipham Sales Dept.

WC31 Wafer Check Valve

Class 300

DN50 / 2"



VALVE SIZE	BORE	A	B	C	D	*WEIGHT(KG)
DN50 (2")	50.8	111	60	60	25	3

Design Standards API 594
End Connection Wafer
Description Dual Plate Check
Integral Seat
Retainerless Body
Spring Assisted
Lifting Lugs for 8" / DN200 and above

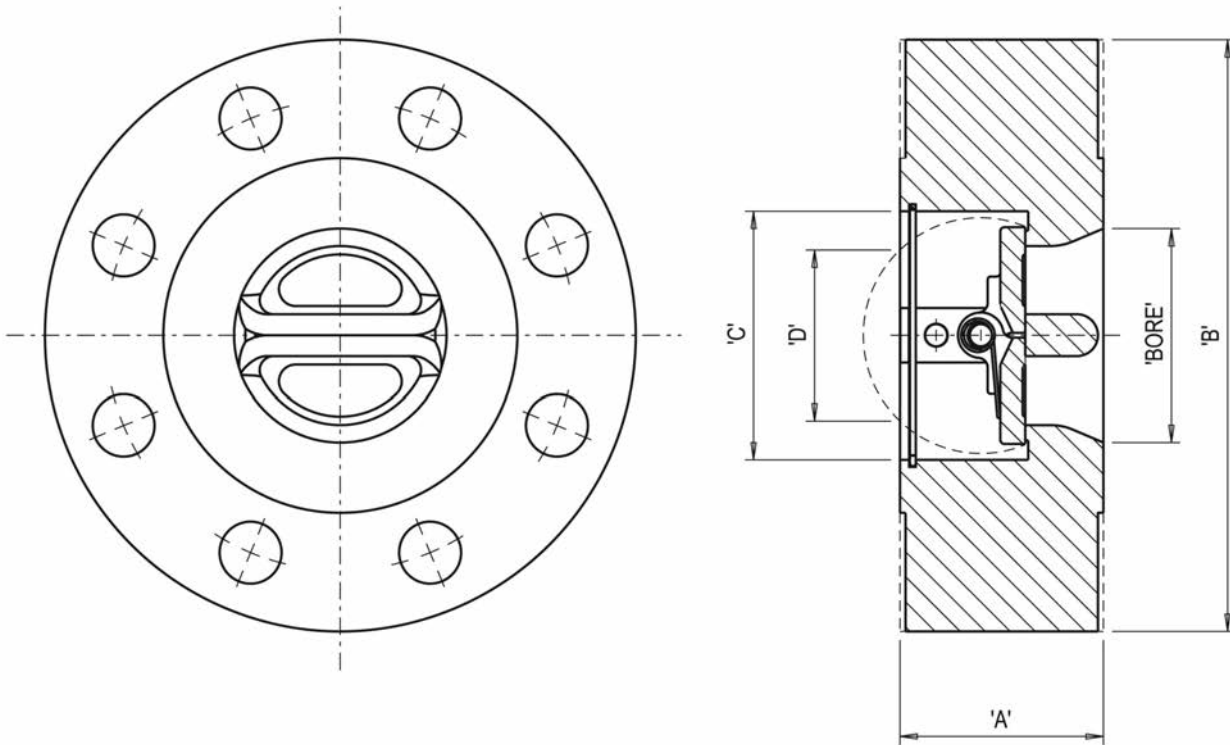
Pressure Testing API 598 / BS EN 12266-1:2003
OMI 3.20
Optional Extras Painting
Tagging / Marking
Optional Soft Seat

* Weight applies to Ni Aluminium Bronze Valves only.
For other materials please contact Shipham Sales Dept.

WC32 Wafer Check Valve

Class 300

DN80 - DN200 / 3" - 8"



VALVE SIZE	BORE	A	B	C	D	*WEIGHT(KG)
DN80 (3")	76	73	212	89	72	15
DN100 (4")	102	73	255	114	97	22
DN150 (6")	152	98	320	167	146	45
DN200 (8")	203	127	384	214	194	68

Design Standards API 594
 End Connection Wafer
 Description Dual Plate Check
 Integral Seat
 Retainerless Body
 Spring Assisted
 Lifting Lugs for 8" / DN200 and above

Pressure Testing API 598 / BS EN 12266-1:2003
 OMI 3.20
 Optional Extras Painting
 Tagging / Marking
 Optional Soft Seat

* Weight applies to Ni Aluminium Bronze Valves only.
 For other materials please contact Shipham Sales Dept.

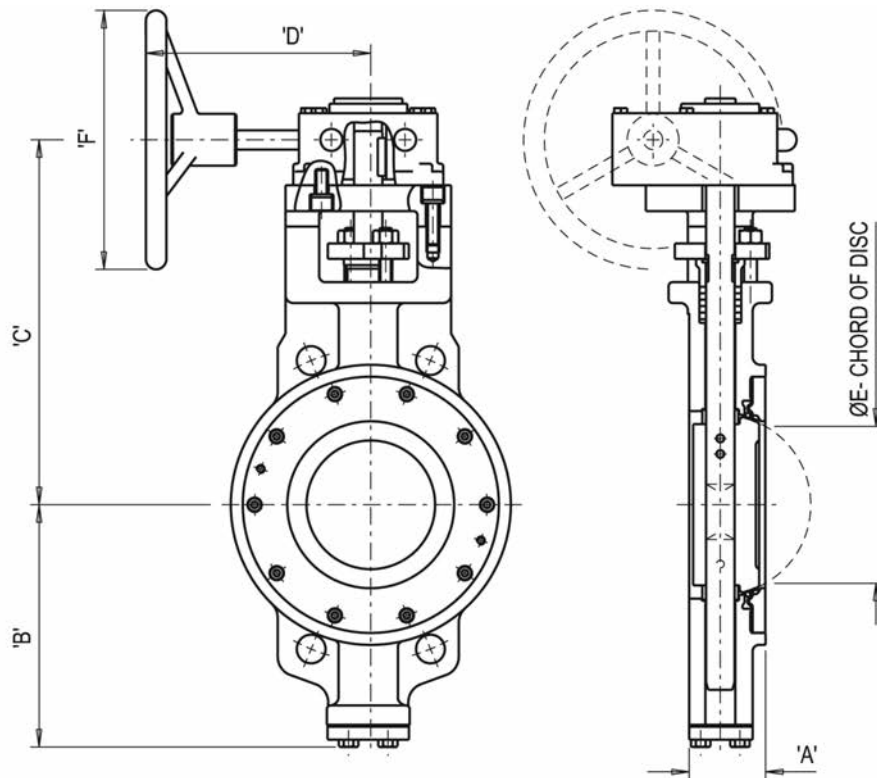


Butterfly Valves

Valve Configurations						
No.	Operation	Design	End Connection	Size Range	Pressure Rating	Materials Available
BU01	Handwheel	High Performance	Wafer	DN80 – DN600 / 3" – 24"	Class 150	A B Q
BU01	Lever	High Performance	Wafer	DN50 – DN150 / 2" – 6"	Class 150	A B Q
BU02	Handwheel	High Performance	Wafer Lugged	DN50 – DN600 / 2" – 24"	Class 150	A B Q
BU02	Lever	High Performance	Wafer Lugged	DN50 – DN150 / 2" – 6"	Class 150	A B Q
BU03	Handwheel	High Performance	Double Flanged	DN200 – DN650 / 8" – 26"	Class 150	A B Q
BU03	Lever	High Performance	Double Flanged	DN80 – DN150 / 3" – 6"	Class 150	A B Q
BU32	Handwheel	High Performance	Wafer Lugged	DN100 – DN200 / 4" – 8"	Class 300	A B Q

Materials of Construction			
Code	Body / Bonnet	Disc	Stem
A	Nickel Aluminium Bronze	Nickel Aluminium Bronze	Nickel Aluminium Bronze
B	Nickel Aluminium Bronze	Alloy 400	Alloy 400
Q	Duplex / Super Duplex	Duplex / Super Duplex	Duplex / Super Duplex



BU01 Butterfly Valve**Class 150****DN80 - DN600 / 3" - 24"**

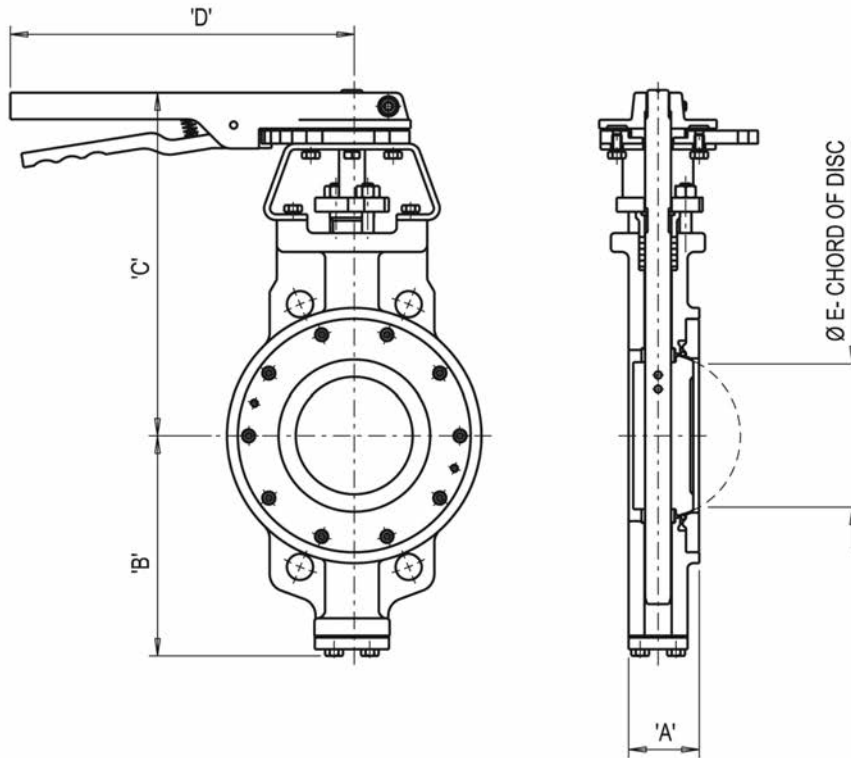
VALVE SIZE	A	B	C	D	E	F	*WEIGHT(KG)
DN80 (3")	48	113	214	164	54	200	14
DN150 (6")	57	187	282	174	133	200	26
DN200 (8")	64	231	360	218	182	300	47
DN250 (10")	71	259	398	218	231	300	71
DN300 (12")	81	300	436	285	283	450	111
DN350 (14")	92	333	479	335	310	450	152
DN400 (16")	102	367	525	345	352	600	178
DN450 (18")	114	394	570	355	408	600	222
DN500 (20")	127	434	626	345	454	750	268
DN600 (24")	154	494	703	500	557	700	400

Design Standards API 609
 End Connection Wafer
 Description Anti-Static Device
 Open and Close Indicator
 Anti-Blow Out Shaft
 Resilient Seat
 High Performance Double Offset

Pressure Testing API 598 / BS EN 12266-1:2003

Optional Extras Actuation
 Tagging / Marking
 Painting
 Locking Device
 Firesafe to API 607

*Weight applies to Ni Aluminium Bronze Valves only.
 For other materials please contact Shipham Sales Dept.

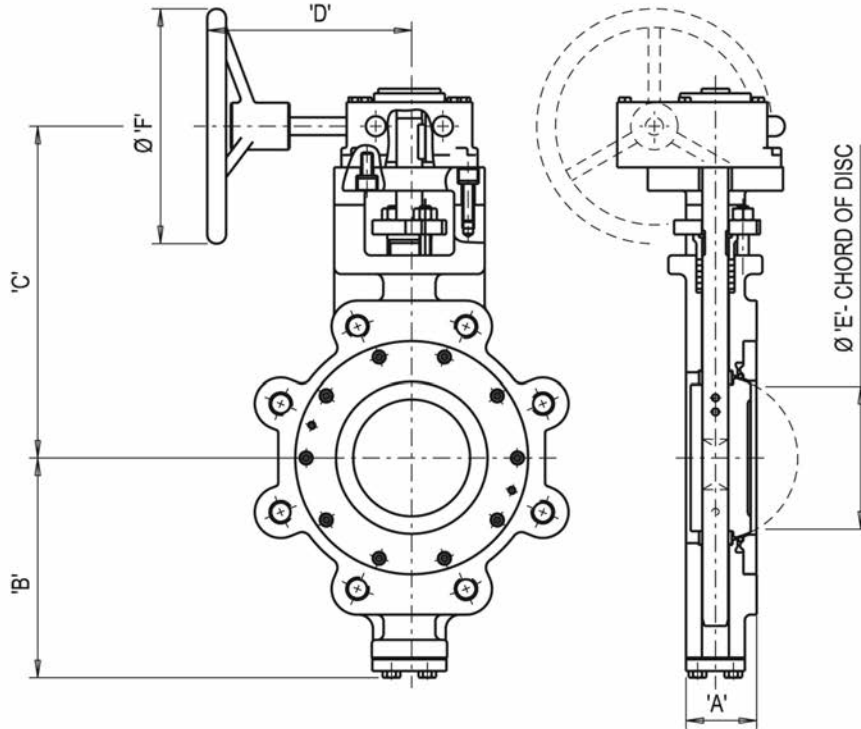
BU01 Butterfly Valve**Class 150****DN50 - DN150 / 2" - 6"**

VALVE SIZE	A	B	C	D	E	*WEIGHT(KG)
DN50 (2")**	44	108	221	340	44	10
DN80 (3")	48	113	234	340	54	11
DN100 (4")	54	160	263	340	83	15
DN150 (6")	57	187	291	500	133	22

Design Standards API 609
 End Connection Wafer
 Description Anti-Static Device
 Open and Close Indicator
 Anti-Blow Out Shaft
 Resilient Seat
 High Performance Double Offset
 Lever Operated

Pressure Testing API 598 / BS EN 12266-1:2003
 Optional Extras Tagging / Marking
 Painting
 Locking Device
 Firesafe to API 607

*Weight applies to Ni Aluminium Bronze Valves only.
 For other materials please contact Shipham Sales Dept.
 ** The 2" is only available as a BU02

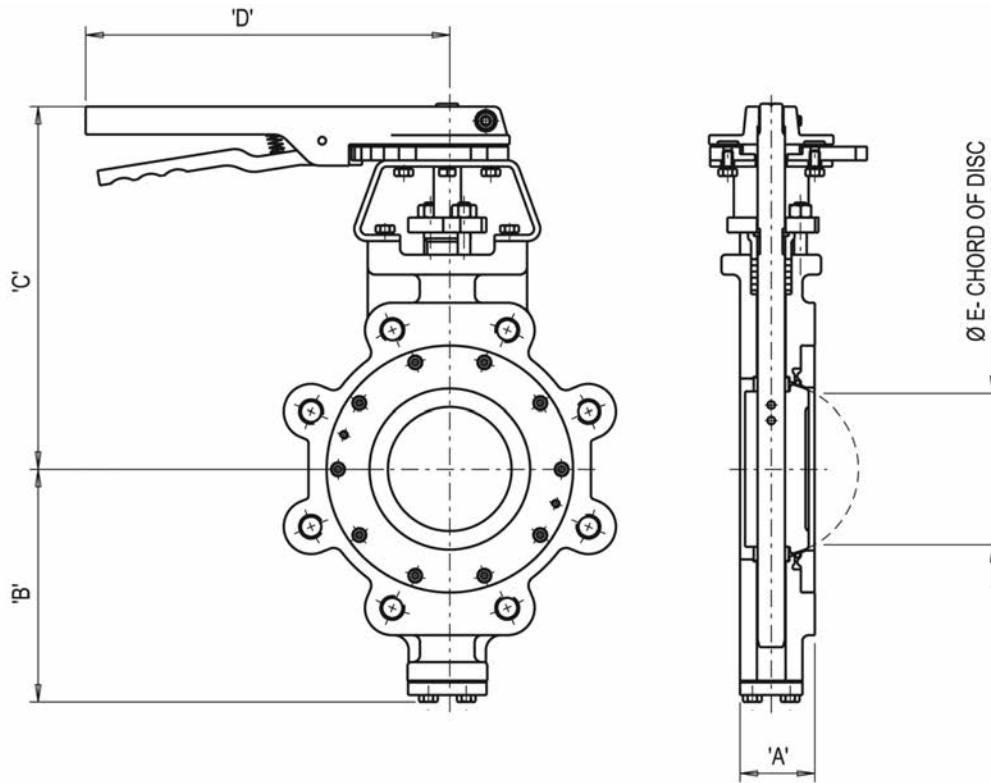
BU02 Butterfly Valve**Class 150****DN50 - DN600 / 2" - 24"**

VALVE SIZE	A	B	C	D	E	F	*WEIGHT(KG)
DN50 (2")	44	108	202	161	43.5	200	12
DN80 (3")	48	113	214	161	53.5	200	14
DN100 (4")	54	160	248	220	83	200	22
DN150 (6")	57	187	276	220	133	200	30
DN200 (8")	64	231	360	286	182	300	48
DN250 (10")	71	259	397	299	231	400	71
DN300 (12")	81	300	428	285	283	450	107
DN350 (14")	92	333	477	346	310	500	147
DN400 (16")	102	367	525	346	359	600	205
DN450 (18")	114	394	575	387	408	700	246
DN500 (20")	127	434	662	447	454	600	340
DN600 (24")	154	494	703	501	555	700	540

Design Standards API 609
 End Connection Wafer Lugged
 Description Anti-Static Device
 Open and Close Indicator
 Anti-Blow Out Shaft
 Resilient Seat
 High Performance Double Offset
 Lever Operated

Pressure Testing API 598 / BS EN 12266-1:2003
 Optional Extras Actuation
 Tagging / Marking
 Painting
 Locking Device
 Firesafe to API 607

*Weight applies to Ni Aluminium Bronze Valves only.
 For other materials please contact Shipham Sales Dept.

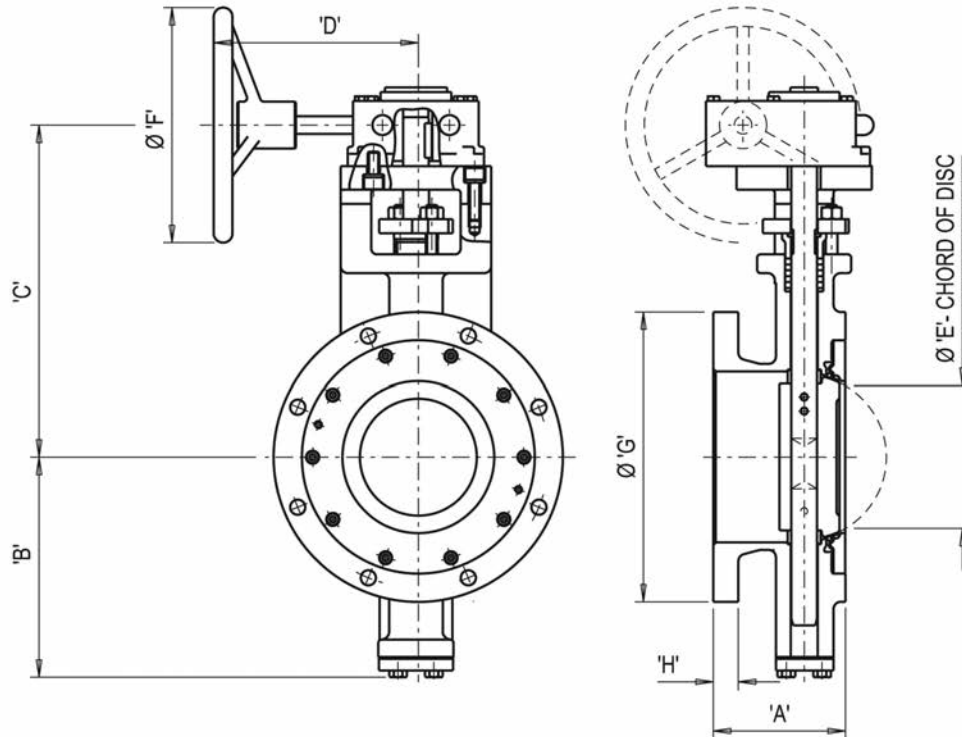
BU02 Butterfly Valve**Class 150****DN50 - DN150 / 2" - 6"**

VALVE SIZE	A	B	C	D	E	*WEIGHT(KG)
DN50 (2")	44	108	221	340	44	10
DN80 (3")	48	113	234	340	54	11
DN100 (4")	54	160	263	340	83	19
DN150 (6")	57	187	291	500	133	25

Design Standards API 609
 End Connection Wafer Lugged
 Description Anti-Static Device
 Open and Close Indicator
 Anti-Blow Out Shaft
 Resilient Seat
 High Performance Double Offset
 Lever Operated

Pressure Testing API 598 / BS EN 12266-1:2003
 Optional Extras Actuation
 Tagging / Marking
 Painting
 Locking Device
 Firesafe to API 607

*Weight applies to Ni Aluminium Bronze Valves only.
 For other materials please contact Shipham Sales Dept.

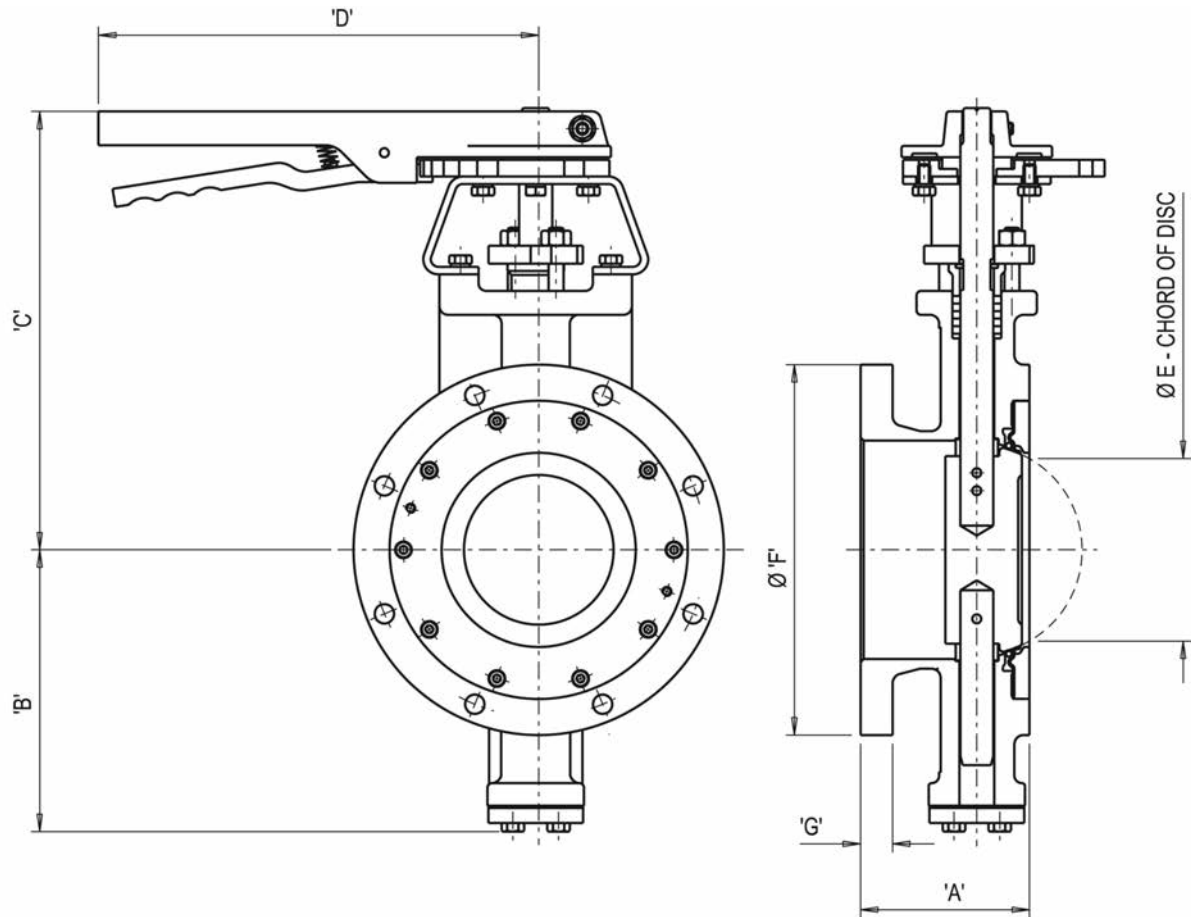
BU03 Butterfly Valve**Class 150****DN200 - DN650 / 8" - 26"**

VALVE SIZE	A	B	C	D	E	F	G	H	*WEIGHT(KG)
DN200 (8")	152	231	360	218	182	300	345	29	65
DN250 (10")	165	259	398	228	231	300	405	31	89
DN300 (12")	178	300	436	285	283	450	485	32	150
DN350 (14")	190	333	479	337	310	450	535	35	200
DN400 (16")	216	367	525	357	359	600	595	37	250
DN450 (18")	222	394	570	370	408	750	635	40	324
DN500 (20")	229	434	667	446	454	600	700	43	360
DN600 (24")	267	494	729	476	555	750	815	48	450
DN650 (26")	292	550	850	525	-	800	870	67	550

Design Standards API 609
 End Connection Double Flanged
 Description Anti-Static Device
 Open and Close Indicator
 Anti-Blow Out Shaft
 Resilient Seat
 High Performance Double Offset
 Lever Operated

Pressure Testing API 598 / BS EN 12266-1:2003
 Optional Extras Actuation
 Tagging / Marking
 Painting
 Locking Device
 Firesafe to API 607

*Weight applies to Ni Aluminium Bronze Valves only.
 For other materials please contact Shipham Sales Dept.

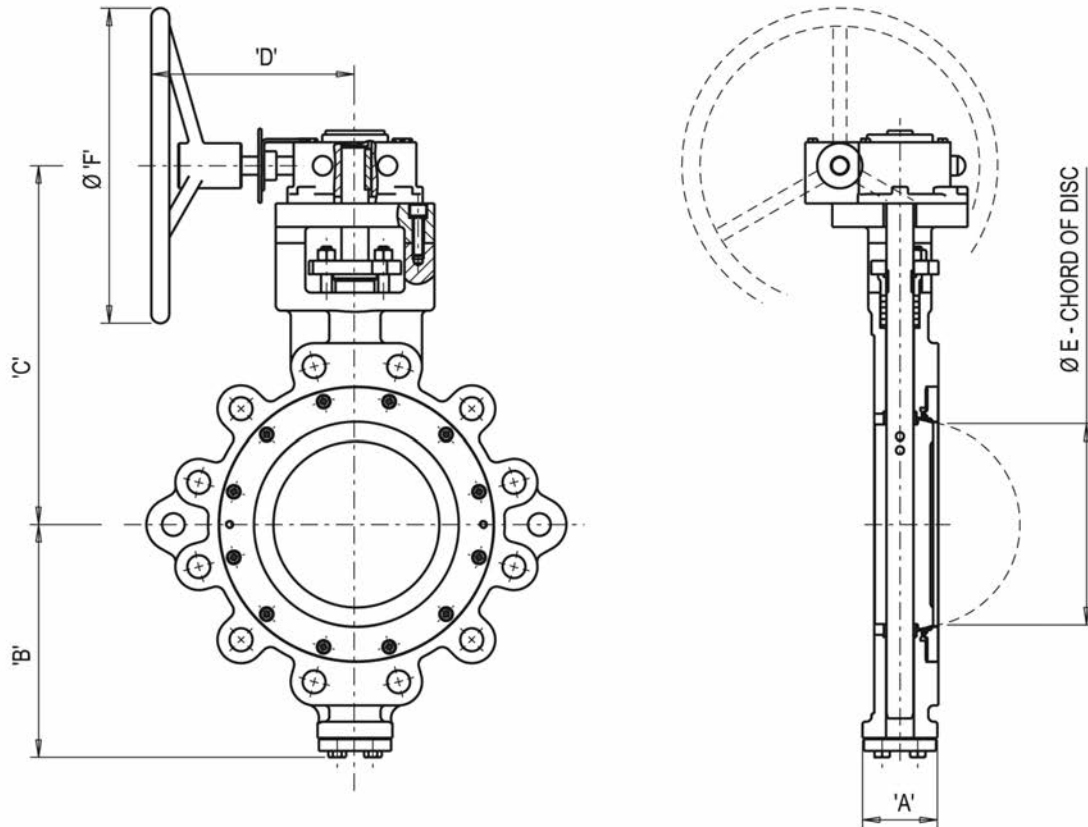
BU03 Butterfly Valve**Class 150****DN80 - DN150 / 3" - 6"**

VALVE SIZE	A	B	C	D	E	F	G	*WEIGHT(KG)
DN80 (3")	114	113	214	340	53.5	190	20	16
DN100 (4")	127	160	246	340	83	230	24	25
DN150 (6")	140	187	282	500	133	280	26	35

Design Standards API 609
 End Connection Double Flanged
 Description Anti-Static Device
 Open and Close Indicator
 Anti-Blow Out Shaft
 Resilient Seat
 High Performance Double Offset
 Lever Operated

Pressure Testing API 598 / BS EN 12266-1:2003
 Optional Extras Actuation
 Tagging / Marking
 Painting
 Locking Device
 Firesafe to API 607

* Weight applies to Ni Aluminium Bronze Valves only.
 For other materials please contact Shipham Sales Dept.

BU32 Butterfly Valve**Class 300****DN100 - DN200 / 4" - 8"**

VALVE SIZE	A	B	C	D	E	F	*WEIGHT(KG)
DN100 (4")	54	172	266	174	83	200	26
DN150 (6")	59	259	351	240	133	350	50
DN200 (8")	73	259	353	240	182	350	74

Design Standards API 609
 End Connection Wafer Lugged
 Description Anti-Static Device
 Open and Close Indicator
 Anti-Blow Out Shaft
 Resilient Seat
 High Performance Double Offset
 Lever Operated

Pressure Testing API598 / BS EN 12266-1:2003
 Optional Extras Actuation
 Tagging / Marking
 Painting
 Locking Device
 Firesafe to API 607

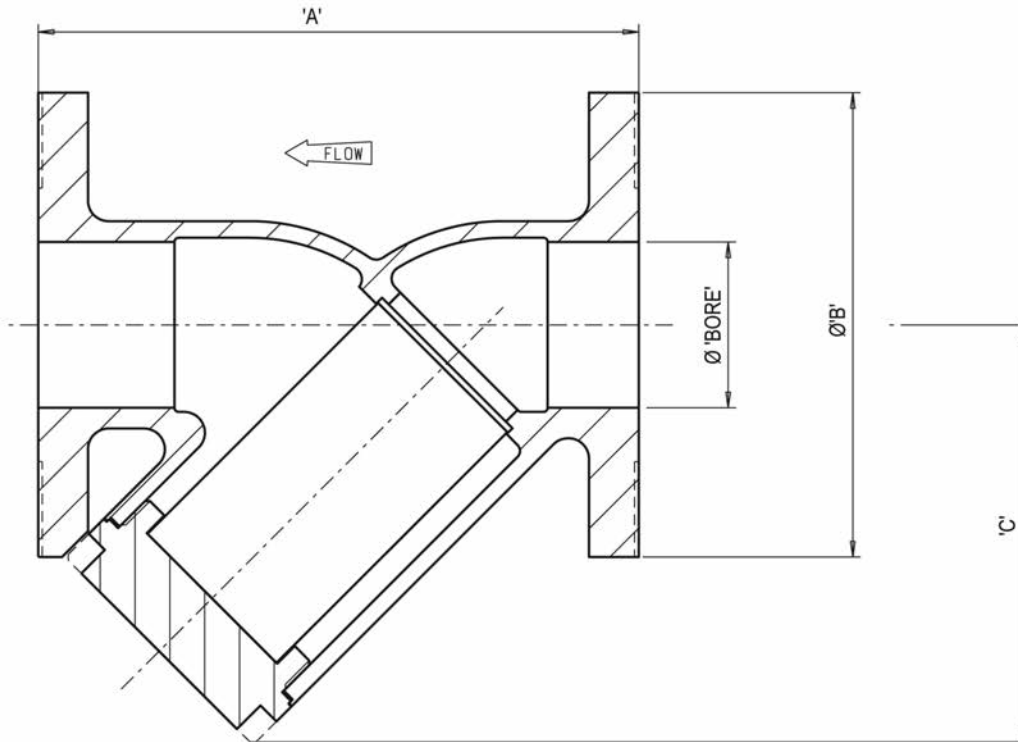
*Weight applies to Ni Aluminium Bronze Valves only.
 For other materials please contact Shipham Sales Dept.



Strainers

Valve Configurations					
No.	Design	End Connection	Size Range	Pressure Rating	Materials Available
ST02	Y-Type Strainer Pattern	Flanged ASME B16.5 (Flat or Raised Face)	DN15 – DN65 / ½" – 2 ½"	Class 150	A B
ST03	Y-Type Strainer Pattern	Flanged ASME B16.5 (Flat or Raised Face)	DN50 – DN300 / 2" – 12"	Class 150	A B

Materials of Construction		
Code	Body / Bonnet	Element
A	Nickel Aluminium Bronze	Nickel Aluminium Bronze
B	Nickel Aluminium Bronze	Alloy 400

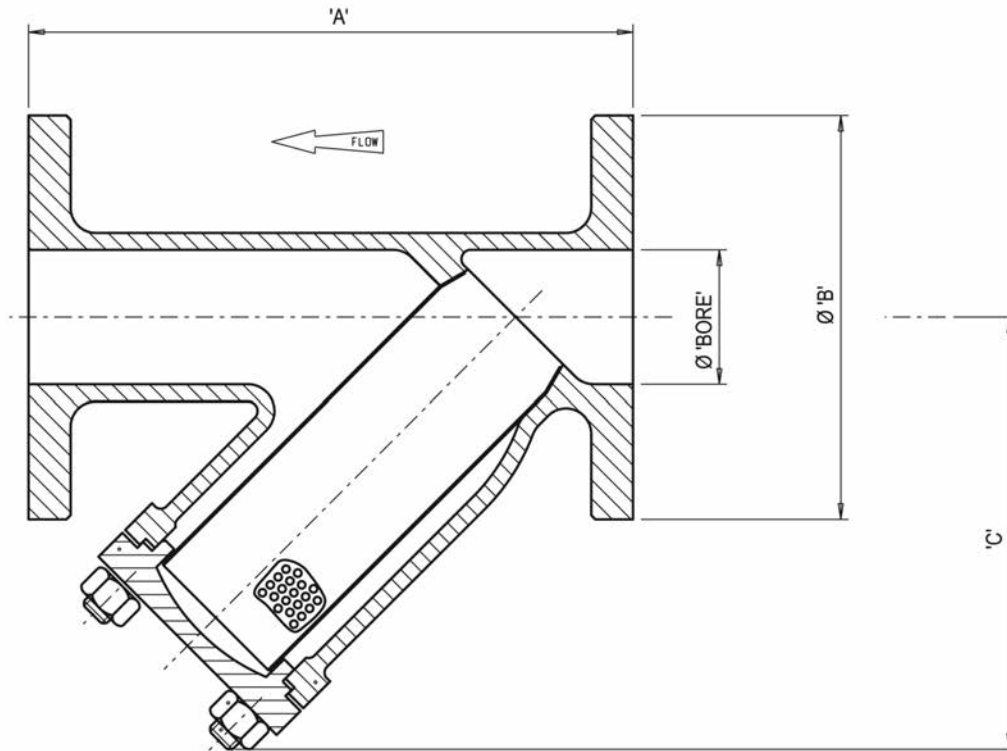
ST02 Strainer Valve**Class 150****DN15 - DN65 / 0.5" - 2.5"**

VALVE SIZE	BORE	A	B	C	*WEIGHT(KG)
DN15 (1/2")	15.0	116	95	167	2
DN20 (3/4")	19.1	140	105	167	2.5
DN25 (1")	25.4	146	115	194	2.8
DN32 (1 1/4")	32.0	200	140	240	5.5
DN40 (1 1/2")	38.1	203	150	270	6
DN50 (2")	50.8	225	165	300	9
DN65 (2 1/2")	63.5	230	185	397	12

End Connection Description Flanged ASME B16.5 (Flat or Raised Face)
 Y-Type Strainer Pattern
 Screw Bonnet Cover

Pressure Testing API 598 / BS EN 12266-1
 OMI 5.1
 Optional Extras Painting
 Tagging / Marking

*Weight applies to Ni Aluminium Bronze Valves only.
 For other materials please contact Shipham Sales Dept.

ST03 Strainer Valve**Class 150****DN50 - DN300 / 2" - 12"**

VALVE SIZE	BORE	A	B	C	*WEIGHT(KG)
DN50 (2")	50.8	229	152	163	13
DN65 (2 1/2")	63.5	267	185	190	16
DN80 (3")	76.2	318	190	217	24
DN100 (4")	101.6	356	229	268	32
DN150 (6")	152.4	489	280	372	85
DN200 (8")	200.0	597	340	488	133
DN250 (10")	250.0	673	406	584	180
DN300 (12")	300.0	762	483	685	200

End Connection Description: Flanged ASME B16.5 (Flat or Raised Face)
 Y-Type Strainer Pattern
 Screw Bonnet Cover

Pressure Testing: API 598 / BS EN 12266-1
 OMI: 5.2
 Optional Extras: Painting
 Tagging / Marking

* Weight applies to Ni Aluminium Bronze Valves only.
 For other materials please contact Shipham Sales Dept.



Shipham Valves

ESTABLISHED 1798

a Wärtsilä company

AVT Composite Valves

Reinforced Composite Technology applied to fluid handling and control

Key benefits of reinforced composites:

Outstanding internal and external corrosion resistance

- eliminating the need for external coatings and protective linings

Up to 60% weight saving

- leading to a very significant reduction of handling, installation and delivery costs

Very low thermal conductivity

- eliminating the need for lagging leading to further cost savings

Reduced torque

- leading to lower costs of actuation

Total lifecycle

- cost savings against metallic valves can be up to 90%

Reliable, short leadtimes

- eliminating project over-runs





Shipham Valves

ESTABLISHED 1798

a Wärtsilä company

Head Office/Factory:

Hawthorn Avenue
Hull
East Yorkshire
HU3 5JX
United Kingdom



USA Sales Office:

3202 Oakland Drive
Sugarland
Texas 77479
USA

Email: vivianf@shipham-valves.com

Tel: +1 (281) 494 0660

Fax: +1 (281) 494 0602

China Sales Office:

4th Floor, Building 13
No.170 Jinfeng Road, Pudong New District
Shanghai 201201
P.R. China

Email: davidw@shipham-valves.com

Tel: +86 (21) 5858 5500 ext. 113

Fax: +86 (21) 5858 7992



WÄRTSILÄ

Shipham Valves is a trading division of Wärtsilä Valves Limited

www.wartsila.com/valves