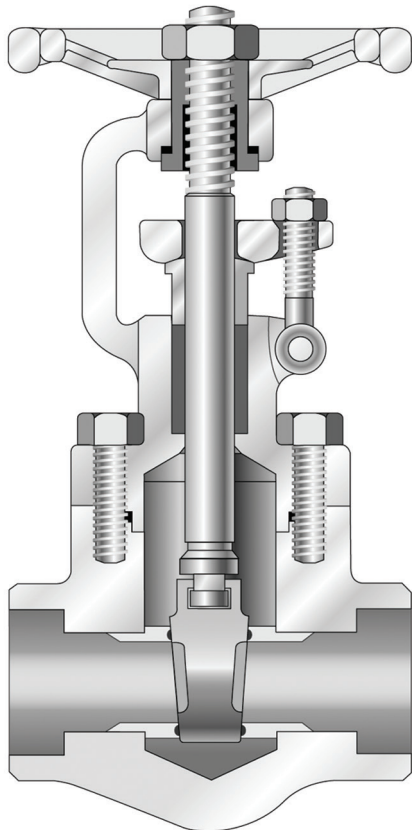


# FORGED STEEL VALVE

## GATE VALVE



### DESCRIPTION

serves as efficient stop valve with flow in either direction. They are commonly used where a minimum of pressure drop is important because they offer practically no resistance to flow when fully open. Throttling is not conducive to accurate and consistent flow control. Also the valve may be damaged by the high velocity across the seats. They function best fully open or fully closed.

### CLASS

API 800, 1500  
ANSI 150, 300, 600, 900, 1500, 2500

### SIZE

3/8", 1/2", 3/4", 1", 1 1/4", 1 1/2", 2"

### MATERIAL

ASTM A105, A182-F5, A182-F9, A182-F11,  
A182-F22, A182-F304, A182-F316, A182-F304L,  
A182-F316L, A182-F321, A182-F347, A182-F51,  
A182-F91, A350-LF2

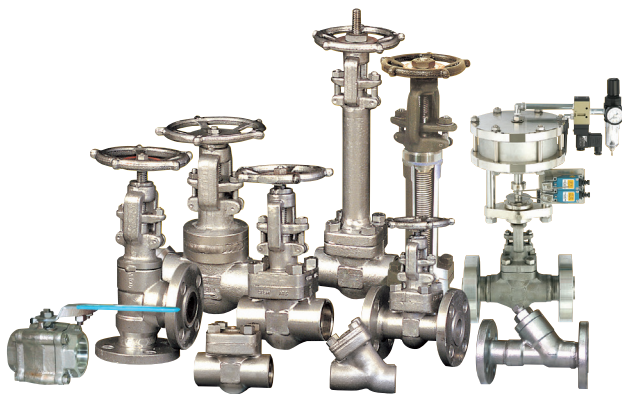
Other Materials also Available on Application

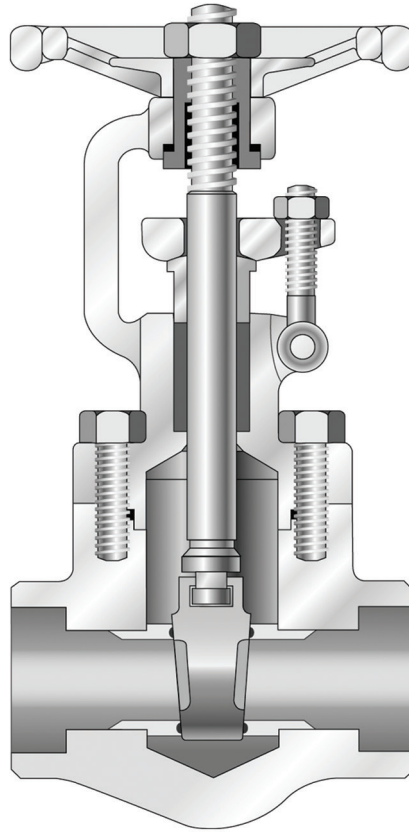
### END CONNECTION

Socket welding, threaded  
Butt welding, flanged

### FEATURE

Bolted bonnet or welded bonnet  
Outside screw & yoke  
Solid wedge disc  
Renewable seat





## STANDARD MATERIAL SPECIFICATIONS

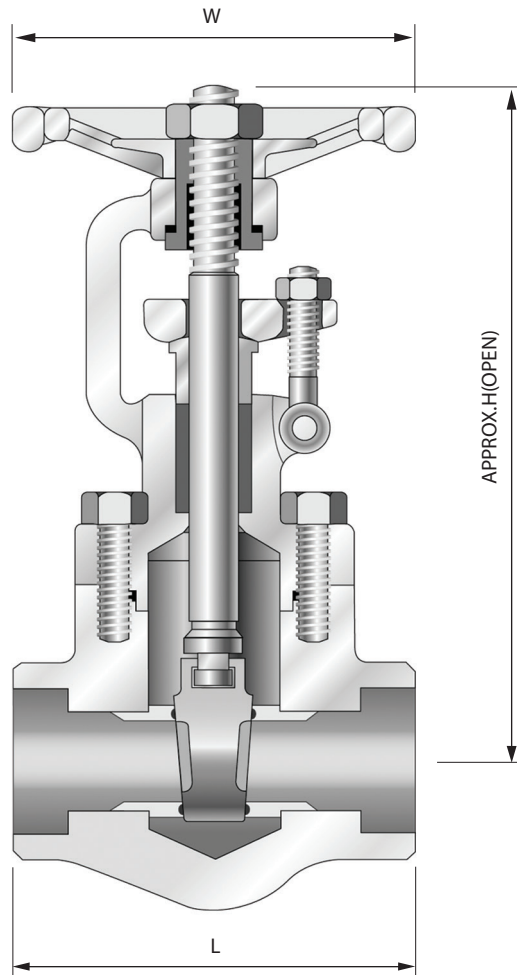
| PART No. | PART NAME      | Q'TY | A105           | ASTM SPECIFICATIONS(SPECS-GRADES/TYPES) |                |           |               |                |         |                |          |          |  |  |
|----------|----------------|------|----------------|---|----------------|-----------|---------------|----------------|---------|----------------|----------|----------|--|--|
|          |                |      |                | A182                                    |                |           |               | A182           |         |                |          |          |  |  |
|          |                |      |                | F304                                    | F304L          | F316      | F316L         | F1             | F5      | F9             | F11      | F22      |  |  |
| 1        | Body           | 1    | A105           | A182-F304                               | A182-F304L     | A182-F316 | A182-F316L    | A182-F1        | A182-F5 | A182-F9        | A182-F11 | A182-F22 |  |  |
| 2        | Bonnet         | 1    | A105           | A182-F304                               | A182-F304L     | A182-F316 | A182-F316L    | A182-F1        | A182-F5 | A182-F9        | A182-F11 | A182-F22 |  |  |
| 4        | Stem           | 1    | A276-410       | A276-304                                | A276-316       |           | A276-410      |                |         |                |          |          |  |  |
| 5        | Disc           | 1    | A217-CA15      | A351-CF8                                | A351-CF8M      |           | A217-CA15     |                |         |                |          |          |  |  |
| 7        | Seat Ring      | 2    | A276-410+STL   | A276-304+STL'                           | A276-316+STL'  |           | A276-410+STL' |                |         |                |          |          |  |  |
| 12       | Bonnet Bolt    | 4    | A193-B7        | A193-B8                                 |                |           |               | A193+B7        |         |                |          |          |  |  |
| 13       | Gasket         | 1    | SS304+Graphite |   | SS316+Graphite |           |               | SS304+Graphite |         |                |          |          |  |  |
| 14       | Gland          | 1    |                |   |                |           |               |                |         | A276-304       |          |          |  |  |
| 15       | Gland Packing  | 1set |                |   |                |           |               |                |         | Graphite       |          |          |  |  |
| 16       | Gland Flange   | 1    | A105           | A182 F304                               |                |           |               | A105           |         |                |          |          |  |  |
| 17       | Gland Bolt     | 2    |                |   |                |           |               |                | A193-B8 |                |          |          |  |  |
| 18       | Gland Bolt Nut | 2    | A194-2H        | A194-8                                  |                |           |               | A194-2H        |         |                |          |          |  |  |
| 19       | Gland Bolt Pin | 2    |                |   |                |           |               |                |         | A276-304       |          |          |  |  |
| 20       | Sleeve         | 1    |                |   |                |           |               |                |         | A276-410       |          |          |  |  |
| 21       | Sleeve Washer  | 2    |                |   |                |           |               |                |         | A276-410       |          |          |  |  |
| 22       | Handwheel      | 1    |                |   |                |           |               |                |         | A197           |          |          |  |  |
| 23       | Nameplate      | 1    |                |   |                |           |               |                |         | Aluminum       |          |          |  |  |
| 24       | Handwheel Nut  | 1    |                |   |                |           |               |                |         | SS400+Zn PLATE |          |          |  |  |

(1)A105 also Available with 0.25% Maximum Carbon.

Other Materials also Available on Application.

# CLASS 600 & 800

BOLTED BONNET OS & Y



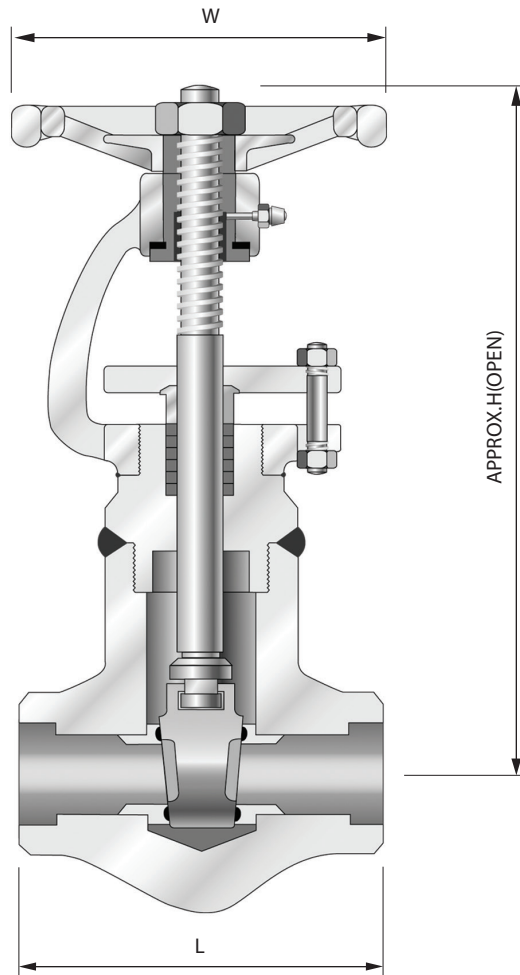
Bolted Bonnet

## DIMENSION AND WEIGHT

| CLASS     | PORT    | VALVE SIZE | CENTER TO TOP, OPEN | END TO END | HAND WHEEL DIAMETER | PORT DIAMETER | WEIGHT |
|-----------|---------|------------|---------------------|------------|---------------------|---------------|--------|
|           |         |            | H                   | L          | W                   | d             |        |
|           |         |            | mm                  | mm         | mm                  | mm            |        |
| 600 & 800 | REDUCED | 10         | 133                 | 73         | 90                  | 10            | 1.5    |
|           |         | 15         | 133                 | 73         | 90                  | 10            | 1.4    |
|           |         | 20         | 149                 | 87         | 90                  | 13            | 1.9    |
|           |         | 25         | 178                 | 96         | 105                 | 19            | 2.7    |
|           |         | 32         | 210                 | 121        | 125                 | 25            | 4.8    |
|           |         | 40         | 222                 | 141        | 125                 | 30            | 5.4    |
|           |         | 50         | 257                 | 161        | 150                 | 37            | 8.9    |
|           | FULL    | 10         | 133                 | 73         | 90                  | 10            | 1.4    |
|           |         | 15         | 149                 | 87         | 90                  | 13            | 1.9    |
|           |         | 20         | 178                 | 96         | 105                 | 19            | 2.7    |
|           |         | 25         | 210                 | 121        | 125                 | 25            | 4.8    |
|           |         | 32         | 222                 | 141        | 125                 | 30            | 5.4    |
|           |         | 40         | 257                 | 161        | 150                 | 37            | 8.9    |
|           |         | 50         | 292                 | 170        | 165                 | 43            | 11.2   |

# CLASS 900 & 1500

WELDED BONNET



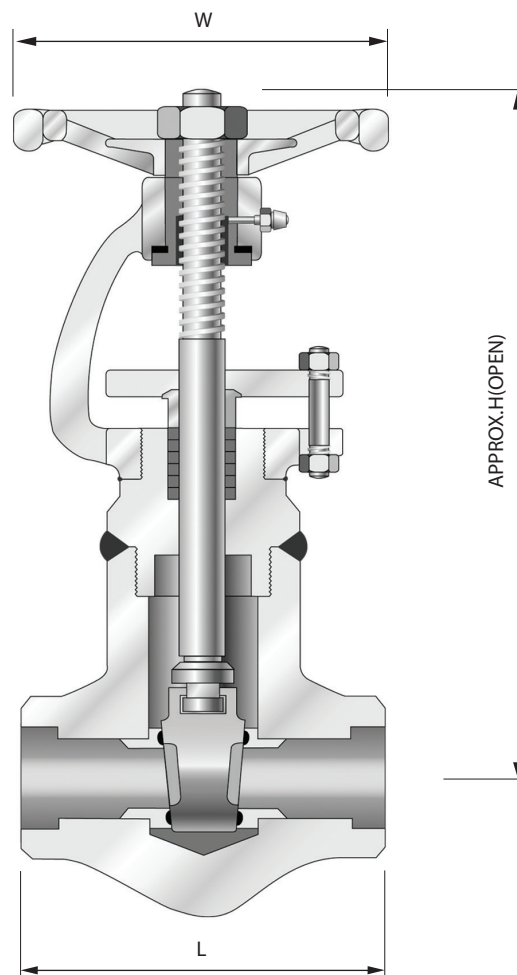
Seal Welded Bonnet

## DIMENSION AND WEIGHT

| CLASS            | PORT | VALVE SIZE | CENTER TO TOP, OPEN | END TO END | HAND WHEEL DIAMETER | PORT DIAMETER | WEIGHT |
|------------------|------|------------|---------------------|------------|---------------------|---------------|--------|
|                  |      |            | H                   | L          | W                   | d             |        |
|                  |      | DN         | mm                  | mm         | mm                  | mm            | kg     |
| 900<br>&<br>1500 | FULL | 10         | 233                 | 96         | 150                 | 10            | 2.3    |
|                  |      | 15         | 233                 | 96         | 150                 | 13            | 2.3    |
|                  |      | 20         | 245                 | 121        | 150                 | 19            | 4.8    |
|                  |      | 25         | 300                 | 141        | 200                 | 25            | 5.4    |
|                  |      | 32         | 331                 | 161        | 200                 | 30            | 8.9    |
|                  |      | 40         | 355                 | 172        | 200                 | 37            | 15.2   |
|                  |      | 50         | 439                 | 200        | 245                 | 37            | 25.4   |

# CLASS 2500

WELDED BONNET



Seal Welded Bonnet

## DIMENSION AND WEIGHT

| CLASS | PORT | VALVE SIZE | CENTER TO TOP, OPEN | END TO END | HAND WHEEL DIAMETER | PORT DIAMETER | WEIGHT |
|-------|------|------------|---------------------|------------|---------------------|---------------|--------|
|       |      |            | H                   | L          | W                   | d             |        |
|       |      |            | mm                  | mm         | mm                  | mm            |        |
| 2500  | FULL | 15         | 245                 | 121        | 150                 | 11            | 2.9    |
|       |      | 20         | 300                 | 141        | 200                 | 14            | 4.8    |
|       |      | 25         | 331                 | 161        | 200                 | 20            | 5.4    |
|       |      | 32         | 335                 | 172        | 200                 | 26            | 8.9    |
|       |      | 40         | 439                 | 200        | 245                 | 29            | 26.8   |
|       |      | 50         | 481                 | 220        | 315                 | 38            | 33.4   |