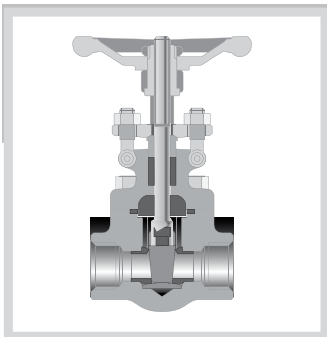




brands you trust.

Technical Data Sheet
Forged Steel A105N GGC Valves
Effective: February 13, 2014



INDEX:

Forged Steel Gate (Full & Conventional Port)

NPT & SW 800LB Page 2-5

NPT & SW 1500LB Page 6-7

Welded Bonnet Gate

NPT & SW 800LB Page 8-9

Forged Steel Globe (Conventional Port)

NPT & SW 800LB Page 10-11

NPT & SW 1500LB Page 14-15

Welded Bonnet Globe

NPT & SW 800LB Page 12-13

Forged Piston Check (Full & Conventional Port)

NPT & SW 800LB Page 16-17

NPT & SW 1500LB Page 18-19

Forged Swing Check (Full & Conventional Port)

NPT & SW 800LB Page 20-21

NPT & SW 1500LB Page 22-23

Forged Ball Check (Full & Conventional Port)

NPT & SW 800LB Page 24-25

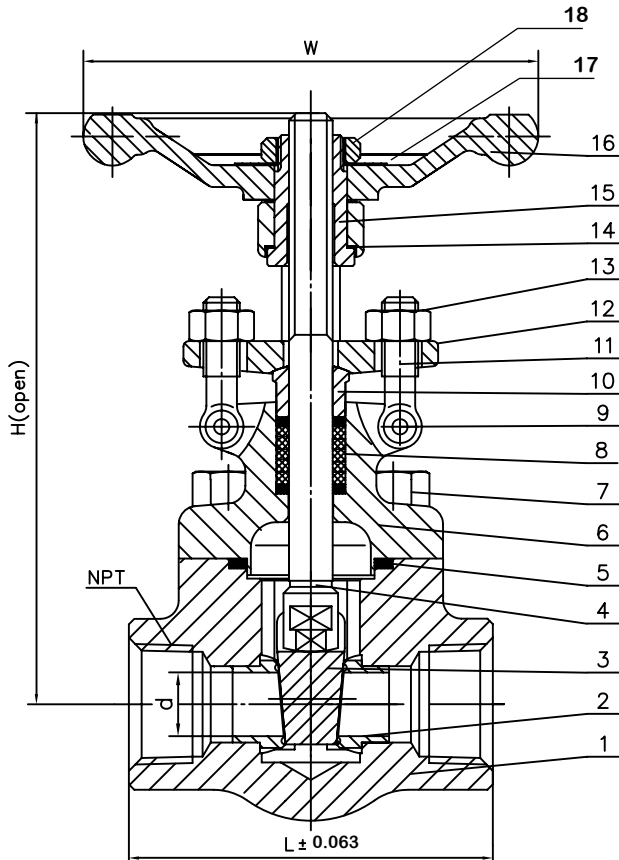
Pressure & Temperature Page 26



Forged Steel Gate Valve Class 800 Conventional Port (NPT)

Figure Number: B3604XUT

Gate valve, Conventional Port,
Bolted Bonnet, OS&Y, NPT Ends



	2	5.12	2"	6.30	10.39	1.44		
	11/2	4.72	11/2"	6.30	9.21	1.14		
	11/4	4.49	11/4"	6.30	8.46	0.94		
	1	3.94	1"	4.92	7.20	0.69		
	3/4	3.15	3/4"	3.94	6.02	0.51		
	1/2	2.87	1/2"	3.94	5.71	0.37		
	3/8	2.87	3/8"	3.94	5.71	0.37		
	1/4	2.87	1/4"	3.94	5.71	0.37		
	inch							
	NPS	L	NPT	W	H	d		
9	Pin	ASTM A276 304		18	Handwheel Nut			
8	Packing	Graphite		17	Nameplate			
7	Bolt	ASTM A193 B7		16	Handwheel		ASTM A197	
6	Bonnet	ASTM A105N		15	Yoke nut		ASTM A276 410	
5	Gasket	304+Graphite		14	Gasket		ASTM A276 410	
4	Stem	ASTM A182 F6a		13	Nut		ASTM A194 2H	
3	Wedge	ASTM A276 420		12	Gland flange		ASTM A105N	
2	Seat	ASTM A276 410+STL		11	Eye bolt		ASTM A193 B7	
1	Body	ASTM A105N		10	Gland		ASTM A276 420	
No.	Name	Material		No.	Name	Material		

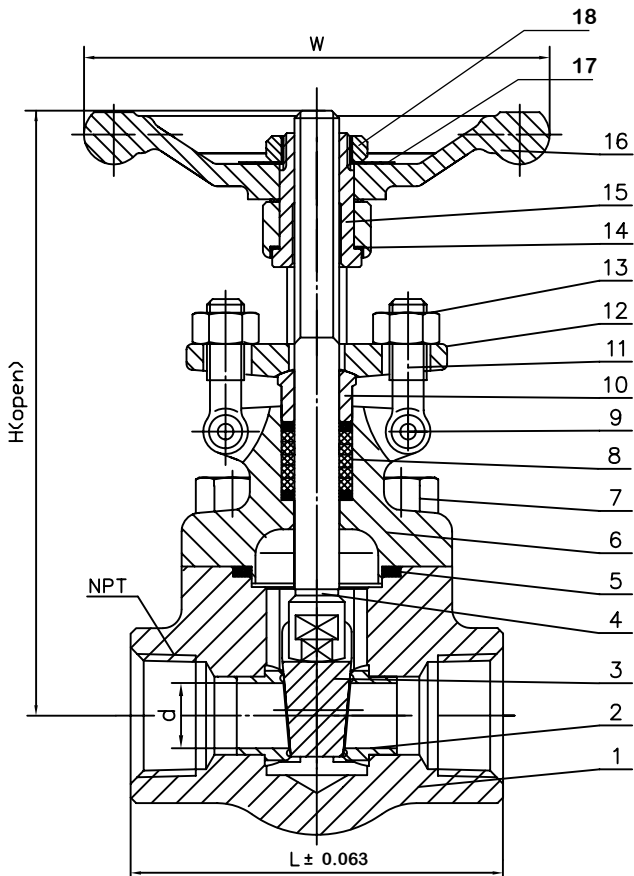
Technical Requirements

1. Design & manufacture conform to API 602
2. Test & inspect conform to API 598
3. Face to Face dimension conform to manufacturer's standard
4. NPT ends conform to ASME B1.20.

Forged Steel Gate Valve Class 800 Full Port (NPT)

Figure Number: FB3604XUT

Gate valve, Full Port, Bolted
Bonnet, OS&Y, NPT Ends



2	5.71	2"	7.87	12.20	1.73		
1 1/2	5.12	1 1/2"	6.30	10.39	1.44		
1 1/4	4.72	1 1/4"	6.30	9.21	1.14		
1	4.49	1"	6.30	8.46	0.94		
3/4	3.94	3/4"	4.92	7.20	0.69		
1/2	3.15	1/2"	3.94	6.02	0.51		
inch							
NPS	L	NPT	W	H	d		
9	Pin	ASTM A276 304	18	Handwheel Nut			
8	Packing	Graphite	17	Nameplate			
7	Bolt	ASTM A193 B7	16	Handwheel	ASTM A197		
6	Bonnet	ASTM A105N	15	Yoke nut	ASTM A276 410		
5	Gasket	304+Graphite	14	Gasket	ASTM A276 410		
4	Stem	ASTM A182 F6a	13	Nut	ASTM A194 2H		
3	Wedge	ASTM A276 420	12	Gland flange	ASTM A105N		
2	Seat	ASTM A276 410+STL	11	Eye bolt	ASTM A193 B7		
1	Body	ASTM A105N	10	Gland	ASTM A276 420		
No.	Name	Material	No.	Name	Material		

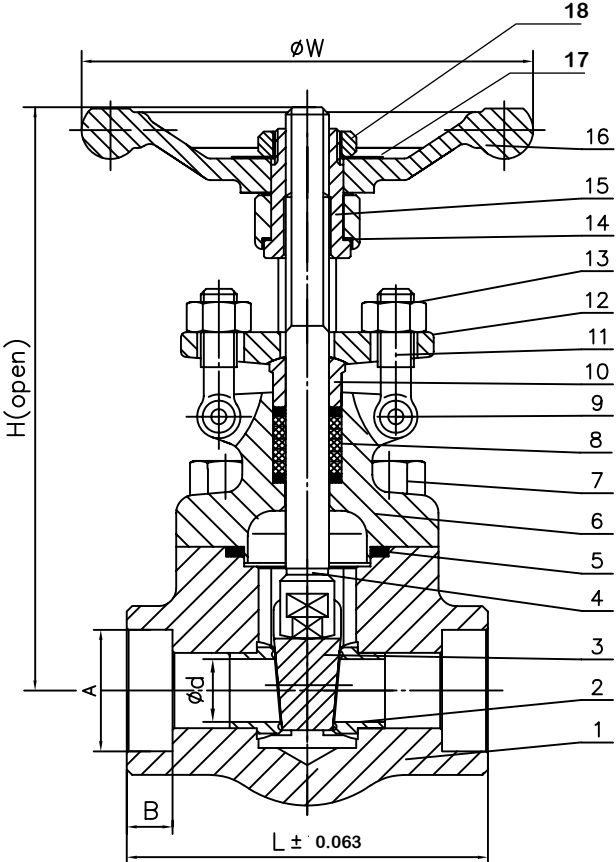
Technical Requirements

1. Design & manufacture conform to API 602
2. Test & inspect conform to API 598
3. Face to Face dimension conform to manufacturer's standard
4. NPT ends conform to ASME B1.20.1

Forged Steel Gate Valve Class 800 Conventional Port (Socket Weld)

Figure Number: B3604XUW

Gate valve, Conventional Port,
Bolted Bonnet, OS&Y, Socket Weld Ends



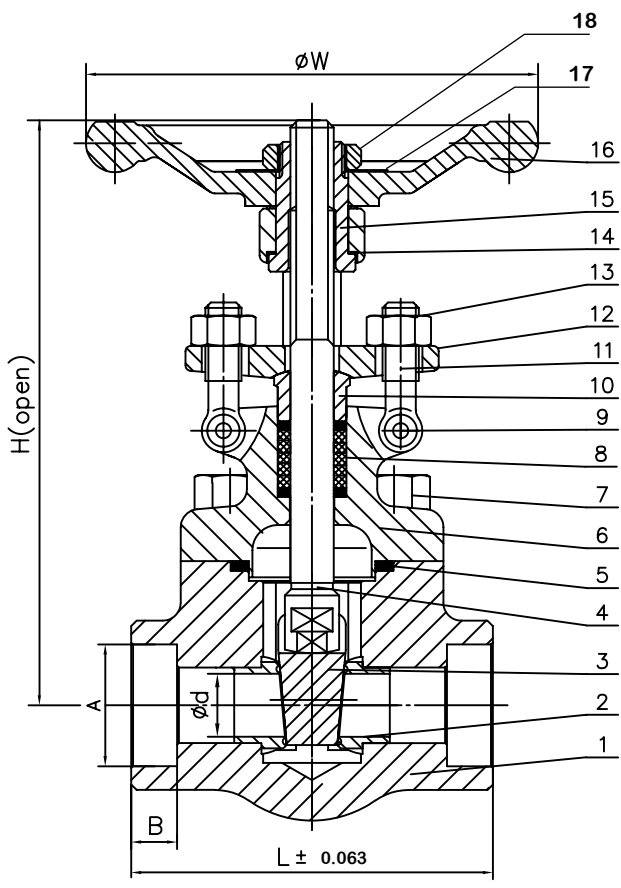
	2	5.12	2.41	0.63	6.30	10.39	1.44		
	11/2	4.72	1.92	0.50	6.30	9.21	1.14		
	11/4	4.49	1.68	0.50	6.30	8.46	0.94		
	1	3.94	1.33	0.50	4.92	7.20	0.69		
	3/4	3.15	1.07	0.50	3.94	6.02	0.51		
	1/2	2.87	0.86	0.38	3.94	5.71	0.37		
	3/8	2.87	0.69	0.38	3.94	5.71	0.37		
	1/4	2.87	0.56	0.38	3.94	5.71	0.37		
inch									
NPS	L	A	B	W	H	d			
9	Pin	ASTM A276 304		18	Handwheel Nut				
8	Packing	Graphite		17	Nameplate				
7	Bolt	ASTM A193 B7		16	Handwheel	ASTM A197			
6	Bonnet	ASTM A105N		15	Yoke nut	ASTM A276 410			
5	Gasket	304+Graphite		14	Gasket	ASTM A276 410			
4	Stem	ASTM A182 F6a		13	Nut	ASTM A194 2H			
3	Wedge	ASTM A276 420		12	Gland flange	ASTM A105N			
2	Seat	ASTM A276 410+STL		11	Eye bolt	ASTM A193 B7			
1	Body	ASTM A105N		10	Gland	ASTM A276 420			
No.	Name	Material		No.	Name	Material			

Technical Requirements

1. Design & manufacture conform to API 602
2. Test & inspect conform to API 598
3. Face to Face dimension conform to manufacturer's standard
4. SW ends coform to ASME B16.11

Forged Steel Gate Valve Class 800 Full Port (Socket Weld)

Figure Number: FB3604XUW
Gate valve, Full Port, Bolted
Bonnet, OS&Y, Socket Weld Ends



2	5.71	2.41	0.63	7.87	12.20	1.73		
1 1/2	5.12	1.92	0.50	6.30	10.39	1.44		
1 1/4	4.72	1.68	0.50	6.30	9.21	1.14		
1	4.49	1.33	0.50	6.30	8.46	0.94		
3/4	3.94	1.07	0.50	4.92	7.20	0.69		
1/2	3.15	0.86	0.38	3.94	6.02	0.51		
inch								
NPS	L	A	B	W	H	d		
9	Pin	ASTM A276 304	18	Handwheel Nut				
8	Packing	Graphite	17	Nameplate				
7	Bolt	ASTM A193 B7	16	Handwheel	ASTM A197			
6	Bonnet	ASTM A105N	15	Yoke nut	ASTM A276 410			
5	Gasket	304+Graphite	14	Gasket	ASTM A276 410			
4	Stem	ASTM A182 F6a	13	Nut	ASTM A194 2H			
3	Wedge	ASTM A276 420	12	Gland flange	ASTM A105N			
2	Seat	ASTM A276 410+STL	11	Eye bolt	ASTM A193 B7			
1	Body	ASTM A105N	10	Gland	ASTM A276 420			
No.	Name	Material	No.	Name	Material			

Technical Requirements

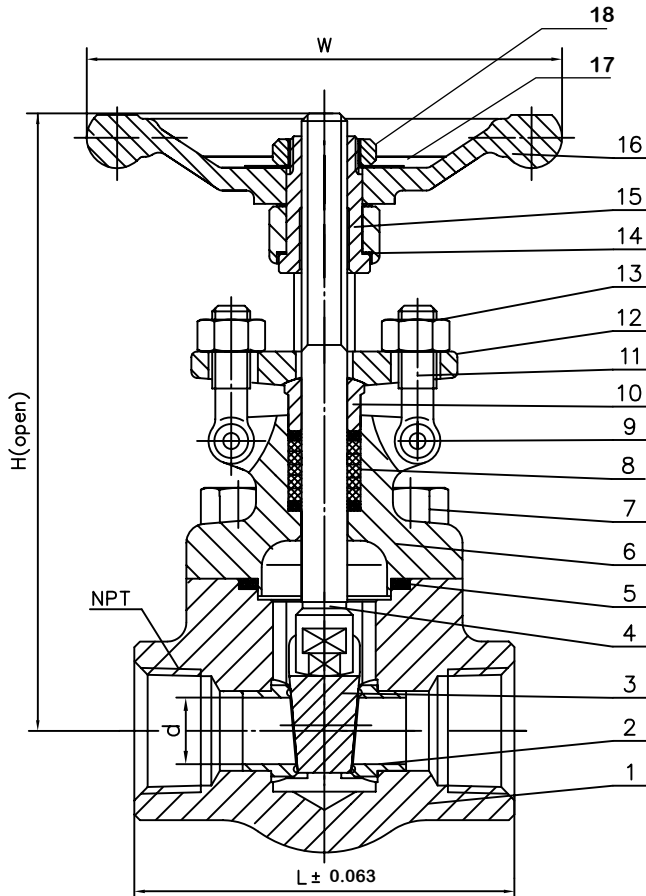
1. Design & manufacture conform to API 602
2. Test & inspect conform to API 598
3. Face to Face dimension conform to manufacturer's standard
4. SW ends conform to ASME B16.11

Forged Steel Gate Valve

Class 1500 Conventional Port (NPT)

Figure Number: B3804XUT

Gate valve, Conventional Port,
Bolted Bonnet, OS&Y, NPT Ends



2	5.51	2	7.09	10.98	1.44			
11/2	5.12	11/2	6.30	10.04	1.14			
11/4	4.72	11/4	6.30	8.97	0.94			
1	4.49	1	6.30	8.19	0.69			
3/4	3.94	3/4	4.92	7.01	0.51			
1/2	3.94	1/2	4.92	7.01	0.51			
inch								
NPS	L	NPT	W	H	d			
9	Pin	ASTM A276 304	18	Handwheel Nut				
8	Packing	Graphite	17	Nameplate				
7	Bolt	ASTM A193 B7	16	Handwheel	ASTM A197			
6	Bonnet	ASTM A105N	15	Yoke nut	ASTM A276 410			
5	Gasket	304+Graphite	14	Gasket	ASTM A276 410			
4	Stem	ASTM A182 F6a	13	Nut	ASTM A194 2H			
3	Wedge	ASTM A276 420	12	Gland flange	ASTM A105N			
2	Seat	ASTM A276 410+STL	11	Eye bolt	ASTM A193 B7			
1	Body	ASTM A105N	10	Gland	ASTM A276 420			
No.	Name	Material	No.	Name	Material			

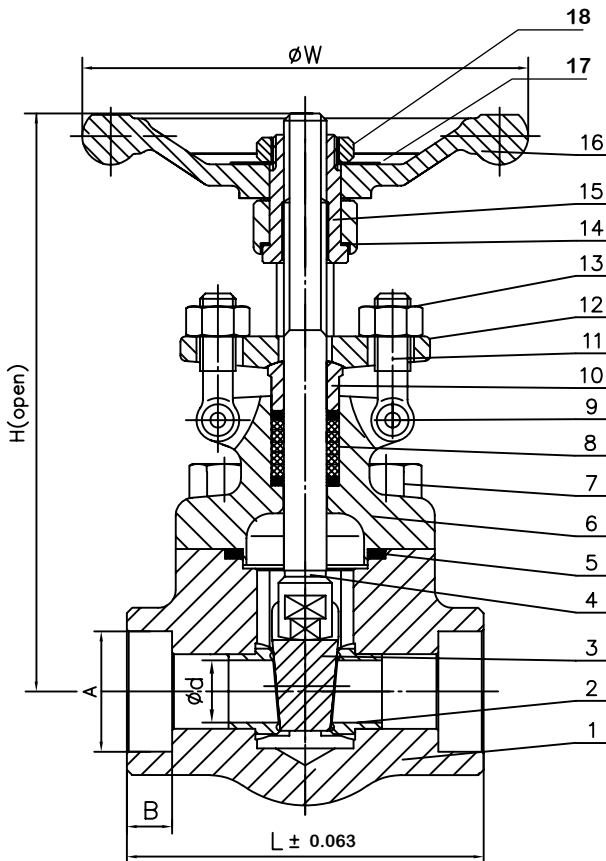
Technical Requirements

1. Design & manufacture conform to API 602
2. Test & inspect conform to API 598
3. Face to Face dimension conform to manufacturer's standard
4. NPT ends conform to ASME B1.20.1

Forged Steel Gate Valve Class 1500 Conventional Port (Socket Weld)

Figure Number: B3804XUW

Gate valve, Conventional Port,
Bolted Bonnet, OS&Y, Socket Weld Ends



2	5.51	2.41	0.63	7.09	10.98	1.44		
1 1/2	5.12	1.92	0.50	6.30	10.04	1.14		
1 1/4	4.72	1.68	0.50	6.30	8.98	0.94		
1	4.49	1.33	0.50	6.30	8.19	0.69		
3/4	3.94	1.07	0.50	4.92	7.01	0.51		
1/2	3.94	0.86	0.38	4.92	7.01	0.51		
inch								
NPS	L	A	B	W	H	d		
9	Pin	ASTM A276 304	18	Handwheel Nut				
8	Packing	Graphite	17	Nameplate				
7	Bolt	ASTM A193 B7	16	Handwheel	ASTM A197			
6	Bonnet	ASTM A105N	15	Yoke nut	ASTM A276 410			
5	Gasket	304+Graphite	14	Gasket	ASTM A276 410			
4	Stem	ASTM A182 F6a	13	Nut	ASTM A194 2H			
3	Wedge	ASTM A276 420	12	Gland flange	ASTM A105N			
2	Seat	ASTM A276 410+STL	11	Eye bolt	ASTM A193 B7			
1	Body	ASTM A105N	10	Gland	ASTM A276 420			
No.	Name	Material	No.	Name	Material			

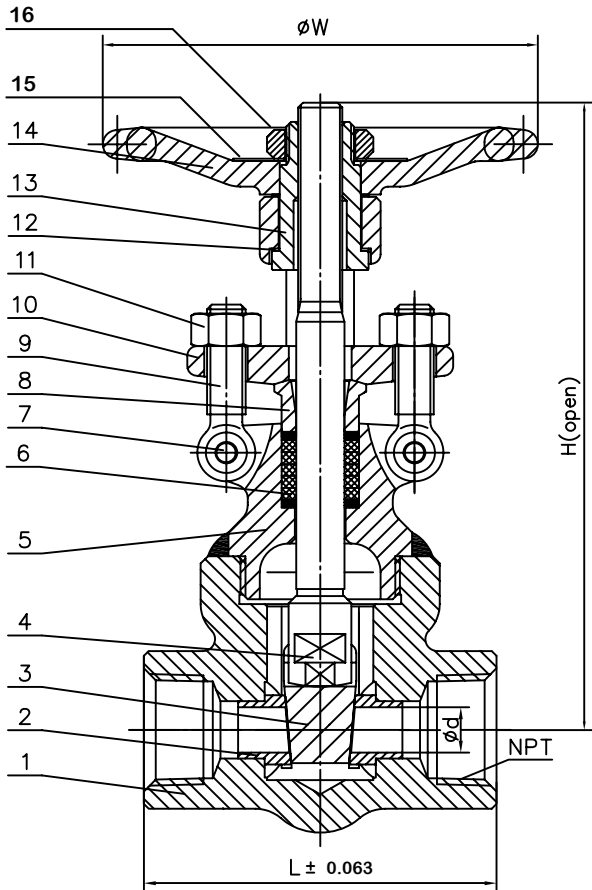
Technical Requirements

1. Design & manufacture conform to API 602
2. Test & inspect conform to API 598
3. Face to Face dimension conform to manufacturer's standard
4. SW ends conform to ASME B16.11

Forged Steel Welded Bonnet Gate Valve Class 800 Conventional Port (NPT)

Figure Number: W3604XUT

Gate valve, Conventional Port,
Welded Bonnet, OS&Y, NPT Ends



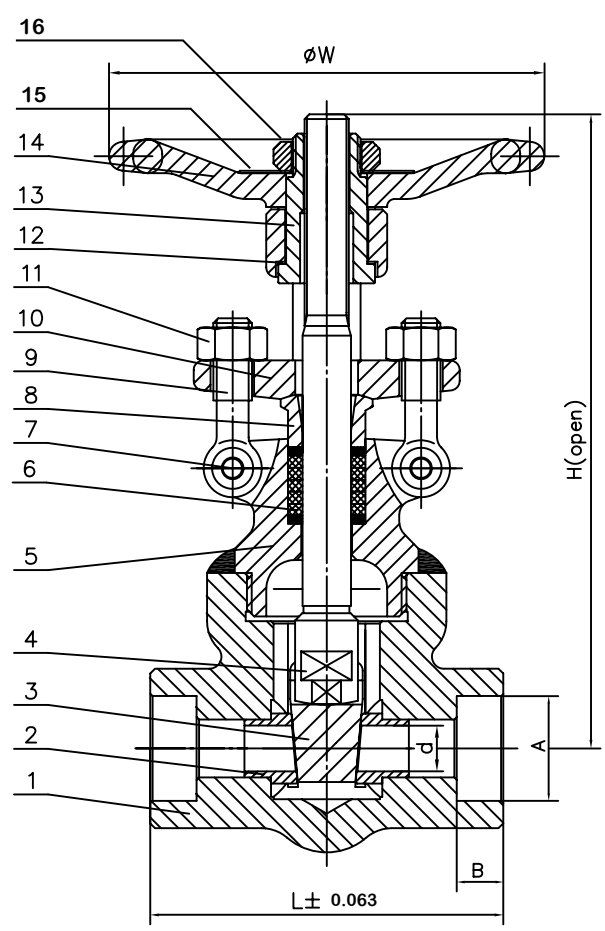
2	5.12	2"	6.30	10.39	1.44			
1 1/2	4.72	1 1/2"	6.30	9.21	1.14			
1 1/4	4.49	1 1/4"	6.30	8.46	0.94			
1	3.94	1"	4.92	7.20	0.69			
3/4	3.15	3/4"	3.94	6.02	0.51			
1/2	2.87	1/2"	3.94	5.71	0.37			
3/8	2.87	3/8"	3.94	5.71	0.37			
1/4	2.87	1/4"	3.94	5.71	0.37			
inch								
NPS	L	NPT	W	H	d			
9	Eye bolt	ASTM A193 B7						
8	Gland	ASTM A276 420						
7	Pin	ASTM A276 304	16	Handwheel Nut				
6	Packing	Graphite	15	Nameplate				
5	Bonnet	ASTM A105N	14	Handwheel	ASTM A197			
4	Stem	ASTM A182 F6a	13	Yoke nut	ASTM A276 410			
3	Wedge	ASTM A276 420	12	Gasket	ASTM A276 410			
2	Seat	ASTM A276 410+STL	11	Nut	ASTM A194 2H			
1	Body	ASTM A105N	10	Gland flange	ASTM A105N			
No.	Name	Material	No.	Name	Material			

Technical Requirements

1. Design & manufacture conform to API 602
2. Test & inspect conform to API 598
3. Face to Face dimension conform to manufacturer's standard
4. NPT ends conform to ASME B1.20.1

Forged Steel Welded Bonnet Gate Valve Class 800 Conventional Port (Socket Weld)

Figure Number: W3604XUW
Gate valve, Conventional Port,
Welded Bonnet, OS&Y, Socket Weld Ends



2	5.12	2.41	0.63	6.30	10.39	1.44		
1 1/2	4.72	1.92	0.50	6.30	9.21	1.14		
1 1/4	4.49	1.68	0.50	6.30	8.46	0.94		
1	3.94	1.33	0.50	4.92	7.20	0.69		
3/4	3.15	1.07	0.50	3.94	6.02	0.51		
1/2	2.87	0.86	0.38	3.94	5.71	0.37		
3/8	2.87	0.69	0.38	3.94	5.71	0.37		
1/4	2.87	0.56	0.38	3.94	5.71	0.37		
inch								
NPS	L	A	B	W	H	d		
9	Eye bolt	ASTM A193 B7						
8	Gland	ASTM A276 420						
7	Pin	ASTM A276 304		16	Handwheel Nut			
6	Packing	Graphite		15	Nameplate			
5	Bonnet	ASTM A105N		14	Handwheel	ASTM A197		
4	Stem	ASTM A182 F6a		13	Yoke nut	ASTM A276 410		
3	Wedge	ASTM A276 420		12	Gasket	ASTM A276 410		
2	Seat	ASTM A276 410+STL		11	Nut	ASTM A194 2H		
1	Body	ASTM A105N		10	Gland flange	ASTM A105N		
No.	Name	Material		No.	Name	Material		

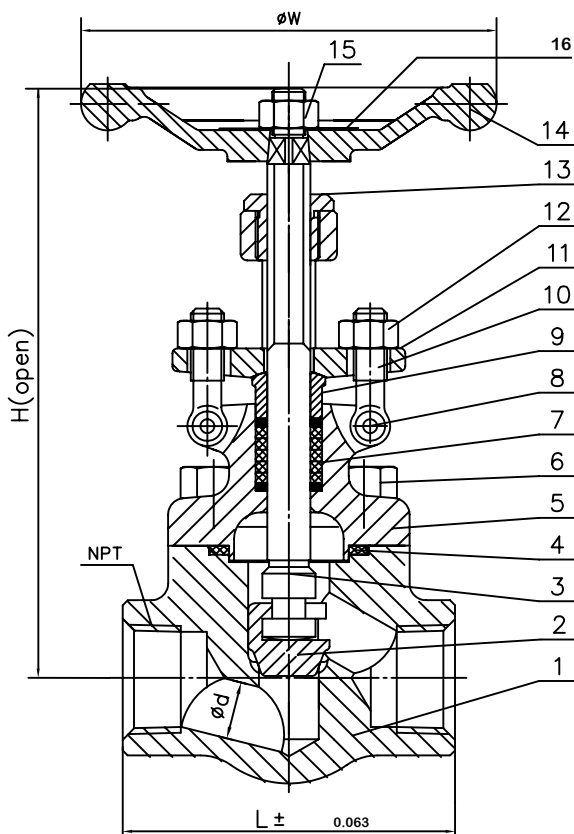
Technical Requirements

1. Design & manufacture conform to API 602
2. Test & inspect conform to API 598
3. Face to Face dimension conform to manufacturer's standard
4. SW ends coform to ASME B16.11

Forged Steel Globe Valve Class 800 Conventional Port (NPT)

Figure Number: B3644XUT

Globe valve, Conventional Port,
Bolted Bonnet, OS&Y, NPT Ends



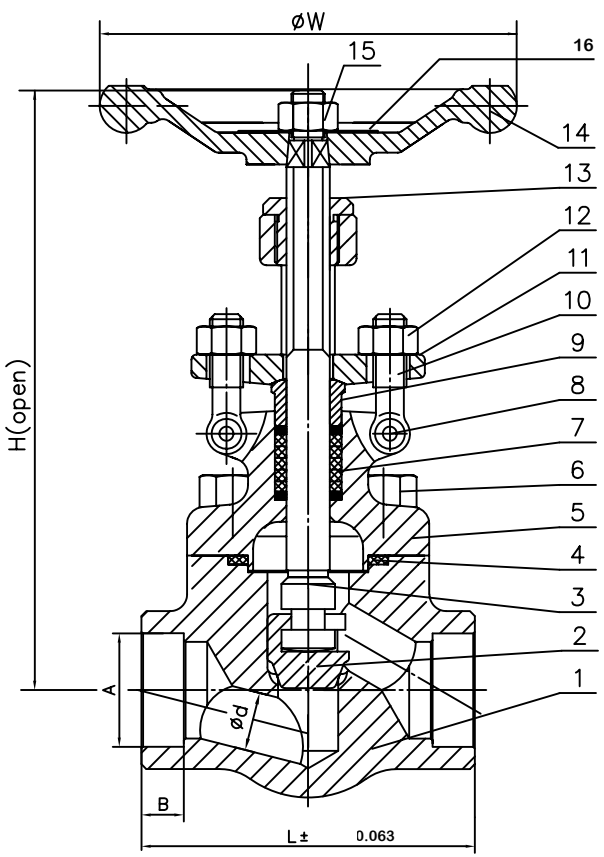
inch NPS	L	NPT	ϕW	H	ϕd			
2	6.30	2"	7.09	10.39	1.42			
1 1/2	5.71	1 1/2"	6.30	8.74	1.14			
1 1/4	4.49	1 1/4"	6.30	8.35	0.89			
1	3.94	1"	4.92	7.40	0.69			
3/4	3.15	3/4"	3.94	6.18	0.47			
1/2	2.87	1/2"	3.94	6.10	0.35			
3/8	2.87	3/8"	3.94	6.10	0.35			
1/4	2.87	1/4"	3.94	6.10	0.28			
9	Gland		ASTM A276 420					
8	Pin		ASTM A276 304					
7	Packing		Graphite		16	Nameplate		
6	Bolt		ASTM A193 B7		15	Nut	1035 plate Zn	
5	Bonnet		ASTM A105N		14	Handwheel	ASTM A197	
4	Gasket		304+Graphite		13	Yoke nut	ASTM A276 410	
3	Stem		ASTM A182 F6a		12	Nut	ASTM A194 2H	
2	Disc		ASTM A276 420		11	Gland flange	ASTM A105N	
1	Body		ASTM A105N+STL		10	Eye bolt	ASTM A193 B7	
No.	Name		Material		No.	Name		Material

Technical Requirements

1. Design & manufacture conform to API 602
2. NPT ends conform to ASME B1.20.1
3. Face to Face dimension conform to manufacturer's standard
4. Inspection and test as per API 598

Forged Steel Globe Valve Class 800 Conventional Port (Socket Weld)

Figure Number: B3644XUW
Globe valve, Conventional Port,
Bolted Bonnet, OS&Y, Socket Weld Ends



2	6.30	2.41	0.63	7.09	10.39	1.42		
1 1/2	5.71	1.92	0.50	6.30	8.74	1.14		
1 1/4	4.49	1.68	0.50	6.30	8.35	0.89		
1	3.94	1.33	0.50	4.92	7.40	0.69		
3/4	3.15	1.07	0.50	3.94	6.18	0.47		
1/2	2.87	0.86	0.38	3.94	6.10	0.35		
3/8	2.87	0.69	0.38	3.94	6.10	0.35		
1/4	2.87	0.56	0.38	3.94	6.10	0.28		
inch								
NPS	L	A	B	ϕW	H	ϕd		
9	Gland		ASTM A276 420					
8	Pin		ASTM A276 304					
7	Packing		Graphite		16	Nameplate		
6	Bolt		ASTM A193 B7		15	Nut	1035 plate Zn	
5	Bonnet		ASTM A105N		14	Handwheel		ASTM A197
4	Gasket		304+Graphite		13	Yoke nut		ASTM A276 410
3	Stem		ASTM A182 F6a		12	Nut		ASTM A194 2H
2	Disc		ASTM A276 420		11	Gland flange		ASTM A105N
1	Body		ASTM A105N+STL		10	Eye bolt		ASTM A193 B7
No.	Name		Material		No.	Name		Material

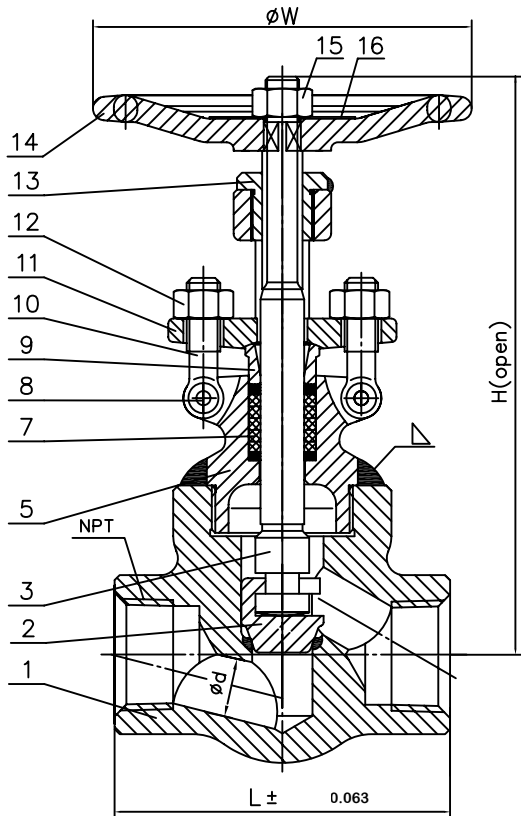
Technical Requirements

1. Design & manufacture conform to API 602
2. Test & Inspect conform to API 598
3. Face to Face dimension conform to manufacturer's standard
4. SW ebds conform to ASME B16.11

Forged Steel Welded Bonnet Globe Valve Class 800 Conventional Port (NPT)

Figure Number: W3644XUT

Globe valve, Conventional Port,
Welded Bonnet, OS&Y, NPT Ends



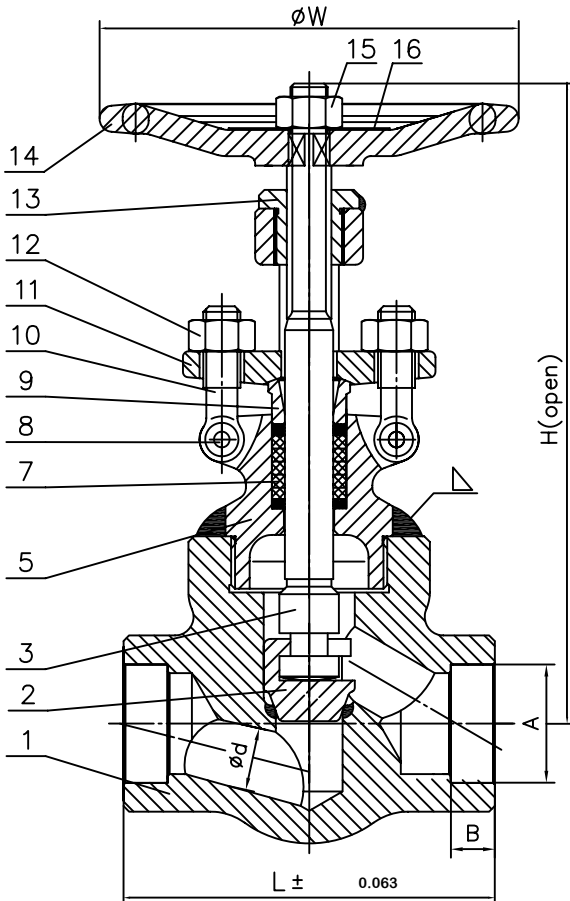
inch	L	NPT	ϕW	H	ϕd			
2	6.30	2"	7.09	10.39	1.42			
1 1/2	5.71	1 1/2"	6.30	8.74	1.14			
1 1/4	4.49	1 1/4"	6.30	8.35	0.89			
1	3.94	1"	4.92	7.40	0.69			
3/4	3.15	3/4"	3.94	6.18	0.47			
1/2	2.87	1/2"	3.94	6.10	0.35			
NPS	L	NPT	ϕW	H	ϕd			
9	Gland	ASTM A276 420						
8	Pin	ASTM A276 304						
7	Packing	Graphite		16	Nameplate			
6				15	Nut	1035 plate Zn		
5	Bonnet	ASTM A105N		14	Handwheel	ASTM A197		
4				13	Yoke nut	ASTM A276 410		
3	Stem	ASTM A182 F6a		12	Nut	ASTM A194 2H		
2	Disc	ASTM A276 420		11	Gland flange	ASTM A105N		
1	Body	ASTM A105N+STL		10	Eye bolt	ASTM A193 B7		
No.	Name	Material	No.	Name	Material			

Technical Requirements

1. Design & manufacture conform to API 602
2. NPT ends conform to ASME B1.20.1
3. Face to Face dimension conform to manufacturer's standard
4. Inspection and test as per API 598

Forged Steel Welded Bonnet Globe Valve Class 800 Conventional Port (Socket Weld)

Figure Number: W3644XUW
Globe valve, Conventional Port,
Welded Bonnet, OS&Y, Socket Weld Ends



2	6.30	2.41	0.63	7.09	10.39	1.42		
1 1/2	5.71	1.92	0.50	6.30	8.74	1.14		
1 1/4	4.49	1.68	0.50	6.30	8.35	0.89		
1	3.94	1.33	0.50	4.92	7.40	0.69		
3/4	3.15	1.07	0.50	3.94	6.18	0.47		
1/2	2.87	0.86	0.38	3.94	6.10	0.35		
inch								
NPS	L	A	B	ϕW	H	ϕd		
9	Gland	ASTM A276 420						
8	Pin	ASTM A276 304						
7	Packing	Graphite		16	Nameplate			
6				15	Nut	1035 plate Zn		
5	Bonnet	ASTM A105N		14	Handwheel	ASTM A197		
4				13	Yoke nut	ASTM A276 410		
3	Stem	ASTM A182 F6a		12	Nut	ASTM A194 2H		
2	Disc	ASTM A276 420		11	Gland flange	ASTM A105N		
1	Body	ASTM A105N+STL		10	Eye bolt	ASTM A193 B7		
No.	Name	Material		No.	Name	Material		

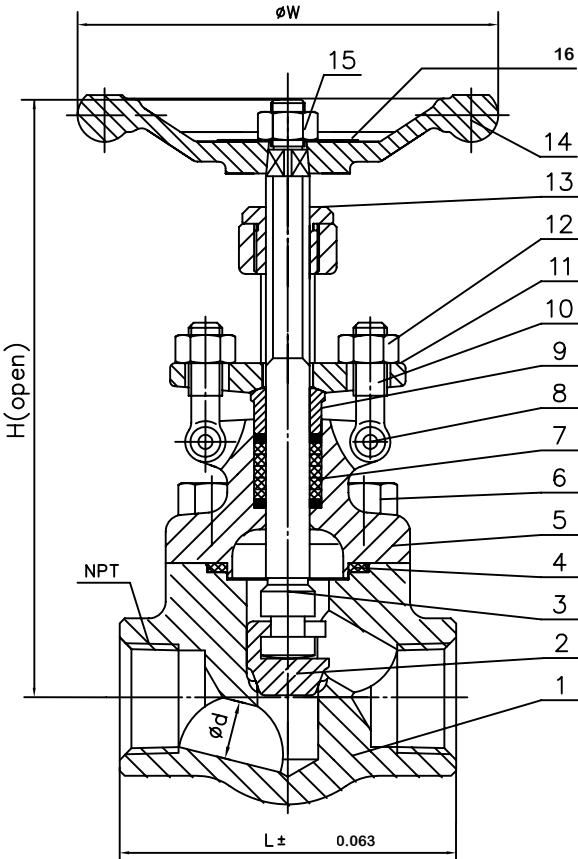
Technical Requirements

1. Design & manufacture conform to API 602
2. Test & Inspect conform to API 598
3. Face to Face dimension conform to manufacturer's standard
4. SW ends conform to ASME B16.11

Forged Steel Globe Valve Class 1500 Conventional Port (NPT)

Figure Number: B3844XUT

Globe valve, Conventional Port,
Bolted Bonnet, OS&Y, NPT Ends



inch NPS	L	NPT	ϕW	H	ϕd			
2	6.77	2"	7.09	11.18	1.30			
1 1/2	6.30	1 1/2"	7.09	10.35	1.14			
1 1/4	5.71	1 1/4"	6.30	8.62	1.02			
1	4.49	1"	6.30	8.35	0.75			
3/4	3.94	3/4"	4.92	7.36	0.57			
1/2	3.94	1/2"	4.92	7.36	0.43			
9	Gland		ASTM A276 420					
8	Pin		ASTM A276 304					
7	Packing		Graphite		16	Nameplate		
6	Bolt		ASTM A193 B7		15	Nut		1035 plate Zn
5	Bonnet		ASTM A105N		14	Handwheel		ASTM A197
4	Gasket		304+Graphite		13	Yoke nut		ASTM A276 410
3	Stem		ASTM A182 F6a		12	Nut		ASTM A194 2H
2	Disc		ASTM A276 420		11	Gland flange		ASTM A105N
1	Body		ASTM A105N+STL		10	Eye bolt		ASTM A193 B7
No.	Name		Material		No.	Name		Material

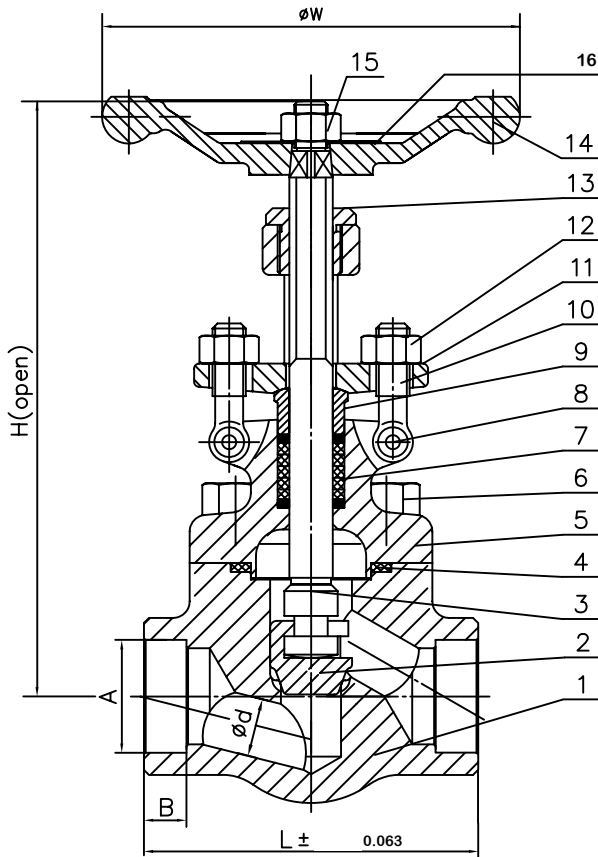
Technical Requirements

1. Design & manufacture conform to API 602
2. NPT ends conform to ASME B1.20.1
3. Face to Face dimension conform to manufacturer's standard
4. Inspection and test as per API 598

Forged Steel Globe Valve Class 1500 Conventional Port (Socket Weld)

Figure Number: B3844XUW

Globe valve, Conventional Port,
Bolted Bonnet, OS&Y, Socket Weld Ends



2	6.77	2.41	0.63	7.09	11.18	1.30		
11/2	6.30	1.92	0.50	7.09	10.35	1.14		
11/4	5.71	1.68	0.50	6.30	8.62	1.02		
1	4.49	1.33	0.50	6.30	8.35	0.75		
3/4	3.94	1.07	0.50	4.92	7.36	0.57		
1/2	3.94	0.86	0.38	4.92	7.36	0.43		
inch								
NPS	L	A	B	ϕW	H	ϕd		
9	Gland		ASTM A276 420					
8	Pin		ASTM A276 304					
7	Packing		Graphite		16	Nameplate		
6	Bolt		ASTM A193 B7		15	Nut	1035 plate Zn	
5	Bonnet		ASTM A105N		14	Handwheel	ASTM A197	
4	Gasket		304+Graphite		13	Yoke nut	ASTM A276 410	
3	Stem		ASTM A182 F6a		12	Nut	ASTM A194 2H	
2	Disc		ASTM A276 420		11	Gland flange	ASTM A105N	
1	Body		ASTM A105N+STL		10	Eye bolt	ASTM A193 B7	
No.	Name		Material		No.	Name		Material

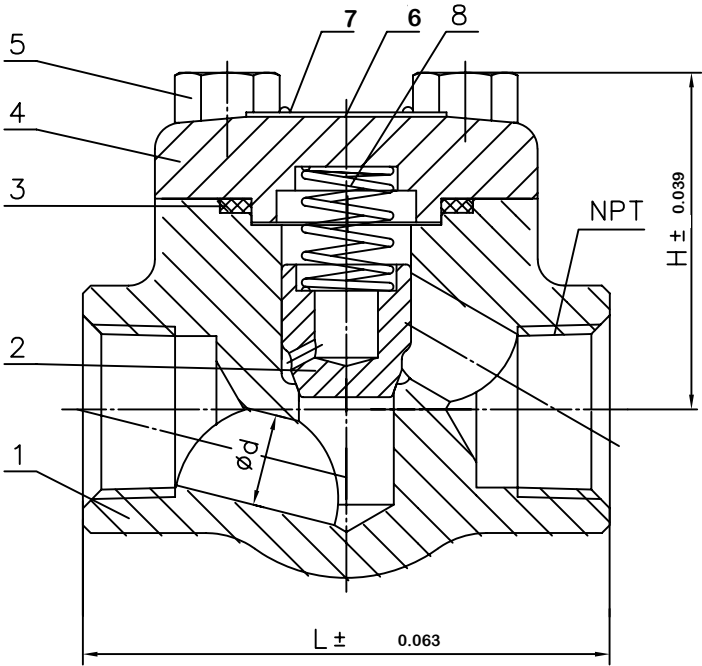
Technical Requirements

1. Design & manufacture conform to API 602
2. Test & Inspect conform to API 598
3. Face to Face dimension conform to manufacturer's standard
4. SW ebds conform to ASME B16.11

Forged Steel Piston Check Valve Class 800 Conventional Port (NPT)

Figure Number: B3674XUT

Piston Check valve, Conventional Port,
Bolted Bonnet, NPT Ends



2	6.30	2"	4.02	1.42				
1 1/2	5.71	1 1/2"	3.35	1.14				
1 1/4	4.49	1 1/4"	3.15	0.89				
1	3.94	1"	2.56	0.69				
3/4	3.15	3/4"	2.20	0.47				
1/2	2.87	1/2"	2.09	0.35				
3/8	2.87	3/8"	2.09	0.35				
1/4	2.87	1/4"	2.09	0.28				
inch								
NPS	L	NPT	H	d				
5	Bolt		ASTM A193 B7					
4	Bonnet		ASTM A105N					
3	Gasket		304+Graphite		8	Spring	SS304	
2	Disc		ASTM A276 420		7	Rivet	H62	
1	Body		ASTM A105N+STL		6	Nameplate	304	
No.	Name		Material		No.	Name	Material	

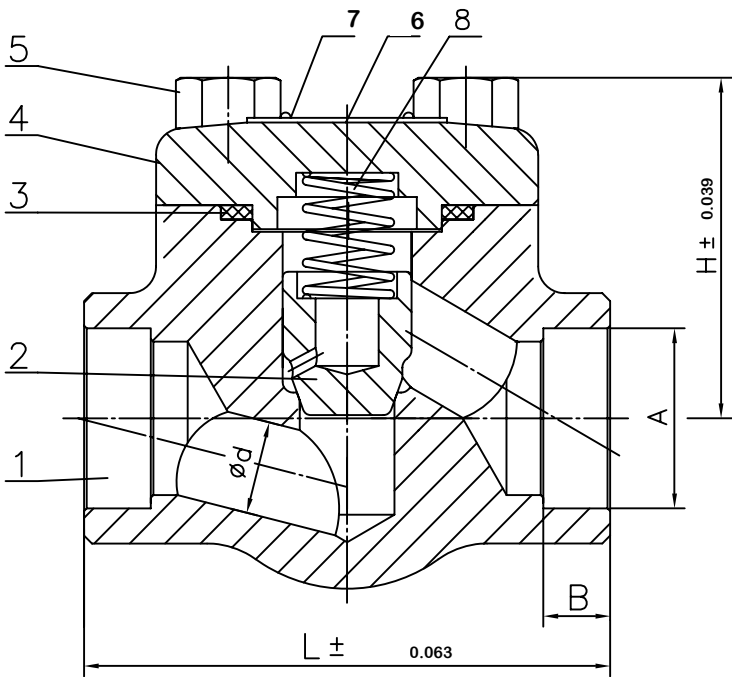
Technical Requirements

1. Design & manufacture conform to API 602
2. Test & inspect conform to API 598
3. Face to Face dimension conform to manufacturer's standard
4. NPT ends conform to ASME B1.20.1

Forged Steel Piston Check Valve Class 800 Conventional Port (Socket Weld)

Figure Number: B3674XUW

Piston Check valve, Conventional Port,
Bolted Bonnet, Socket Weld Ends



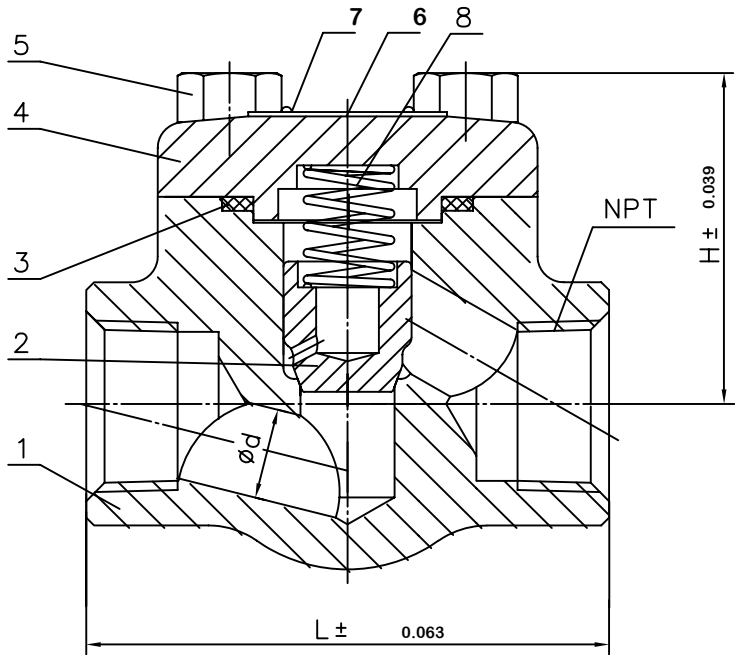
2	6.30	2.41	0.63	4.02	1.42			
1 1/2	5.71	1.92	0.50	3.35	1.14			
1 1/4	4.49	1.68	0.50	3.15	0.89			
1	3.94	1.33	0.50	2.56	0.69			
3/4	3.15	1.07	0.50	2.20	0.47			
1/2	2.87	0.86	0.38	2.09	0.35			
3/8	2.87	0.69	0.38	2.09	0.35			
1/4	2.87	0.56	0.38	2.09	0.28			
inch								
NPS	L	A	B	H	d			
5	Bolt		ASTM A193 B7					
4	Bonnet		ASTM A105N					
3	Gasket		304+Graphite		8	Spring	SS304	
2	Disc		ASTM A276 420		7	Rivet	H62	
1	Body		ASTM A105N+STL		6	Nameplate	304	
No.	Name		Material		No.	Name	Material	

Technical Requirements

1. Design & manufacture conform to API 602
2. Test & inspect conform to API 598
3. Face to Face dimension conform to manufacturer's standard
4. SW ends conform to ASME B16.11

Forged Steel Piston Check Valve Class 1500 Conventional Port (NPT)

Figure Number: B3874XUT
Piston Check valve, Conventional Port,
Bolted Bonnet, NPT Ends



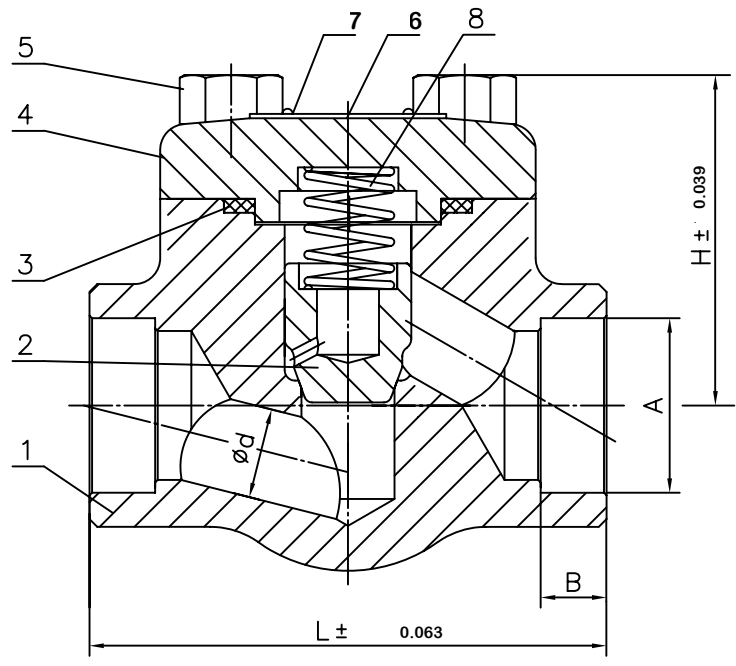
2	6.77	2"	4.45	1.30				
11/2	6.30	11/2"	4.02	1.14				
11/4	5.71	11/4"	3.35	1.02				
1	4.49	1"	3.15	0.75				
3/4	3.94	3/4"	2.56	0.57				
1/2	3.94	1/2"	2.56	0.43				
inch								
NPS	L	NPT	H	d				
5	Bolt		ASTM A193 B7					
4	Bonnet		ASTM A105N					
3	Gasket		304+Graphite	8	Spring	SS304		
2	Disc		ASTM A276 420	7	Rivet	H62		
1	Body		ASTM A105N+STL	6	Nameplate	304		
No.	Name		Material	No.	Name	Material		

Technical Requirements

1. Design & manufacture conform to API 602
2. Test & inspect conform to API 598
3. Face to Face dimension conform to manufacturer's standard
4. NPT ends conform to ASME B1.20.1

Forged Steel Piston Check Valve Class 1500 Conventional Port (Socket Weld)

Figure Number: B3874XUW
Piston Check valve, Conventional Port,
Bolted Bonnet, Socket Weld Ends



2	6.77	2.41	0.63	4.45	1.30			
1 1/2	6.30	1.92	0.50	4.02	1.14			
1 1/4	5.71	1.68	0.50	3.35	1.02			
1	4.49	1.33	0.50	3.15	0.75			
3/4	3.94	1.07	0.50	2.56	0.57			
1/2	3.94	0.86	0.38	2.56	0.43			
inch								
NPS	L	A	B	H	d			
5	Bolt	ASTM A193 B7						
4	Bonnet	ASTM A105N						
3	Gasket	304+Graphite		8	Spring	SS304		
2	Disc	ASTM A276 420		7	Rivet	H62		
1	Body	ASTM A105N+STL		6	Nameplate	304		
No.	Name	Material		No.	Name	Material		

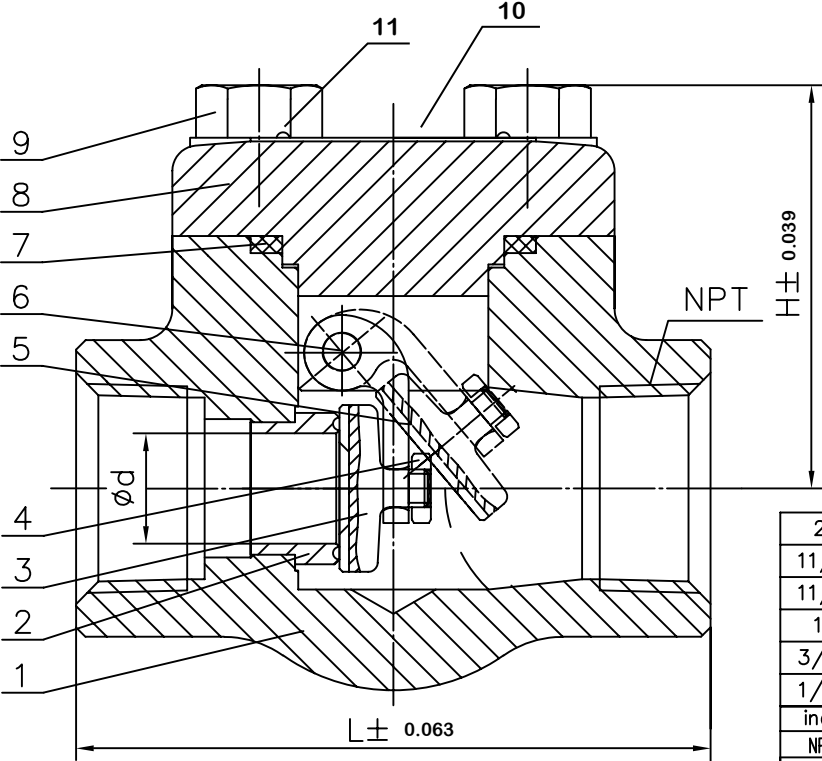
Technical Requirements

1. Design & manufacture conform to API 602
2. Test & inspect conform to API 598
3. Face to Face dimension conform to manufacturer's standard
4. SW ends coform to ASME B16.11

Forged Steel Swing Check Valve Class 800 Conventional Port (NPT)

Figure Number: B3675XUT

Swing Check valve, Conventional Port,
Bolted Bonnet, NPT Ends



2	5.12	2"	4.09	1.44			
11/2	4.72	11/2"	3.54	1.14			
11/4	4.49	11/4"	3.15	0.94			
1	3.94	1"	2.56	0.69			
3/4	3.15	3/4"	2.20	0.51			
1/2	2.87	1/2"	2.09	0.37			
inch							
NPS	L	NPT	H	d			
5	Arm	ASTM A351 CF8	10	Nameplate	11	Rivet	
4	Nut	ASTM A94 8	9	Bolt		ASTM A193 B7	
3	Disc	ASTM A276 420	8	Bonnet		ASTM A105N	
2	Seat	ASTM A276 410+STL	7	Gasket		304+Graphite	
1	Body	ASTM A105N	6	Pin		ASTM A276 304	
No.	Name	Material	No.	Name		Material	

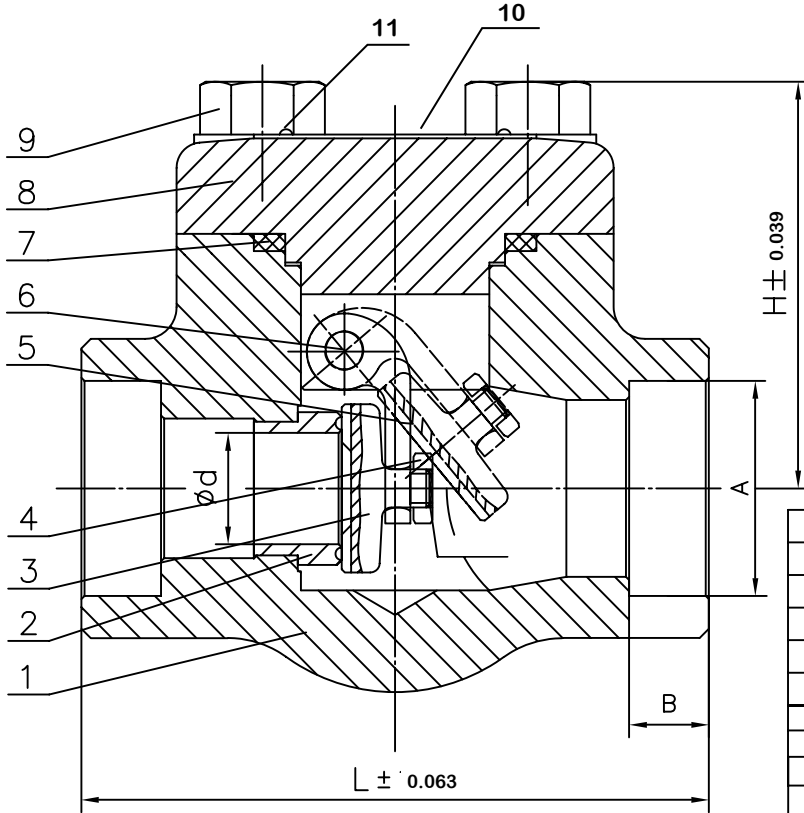
Technical Requirements

1. Design & manufacture conform to API 602
2. Test & inspect conform to API 598
3. Face to Face dimension conform to manufacturer's standard
4. NPT ends conform to ASME B1.20.1

Forged Steel Swing Check Valve Class 800 Conventional Port (Socket Weld)

Figure Number: B3675XUW

Swing Check valve, Conventional Port,
Bolted Bonnet, Socket Weld Ends



2	5.12	2.41	0.63	4.09	1.44			
11/2	4.72	1.92	0.50	3.54	1.14			
11/4	4.49	1.68	0.50	3.15	0.94			
1	3.94	1.33	0.50	2.56	0.69			
3/4	3.15	1.07	0.50	2.20	0.51			
1/2	2.87	0.86	0.38	2.09	0.37			
inch								
	L	A	B	H	d			
5	Arm	ASTM A351 CF8	10	Nameplate	11	Rivet		
4	Nut	ASTM A94 8	9	Bolt		ASTM A193 B7		
3	Disc	ASTM A276 420	8	Bonnet		ASTM A105N		
2	Seat	ASTM A276 410+STL	7	Gasket		304+Graphite		
1	Body	ASTM A105N	6	Pin		ASTM A276 304		
No.	Name	Material	No.	Name		Material		

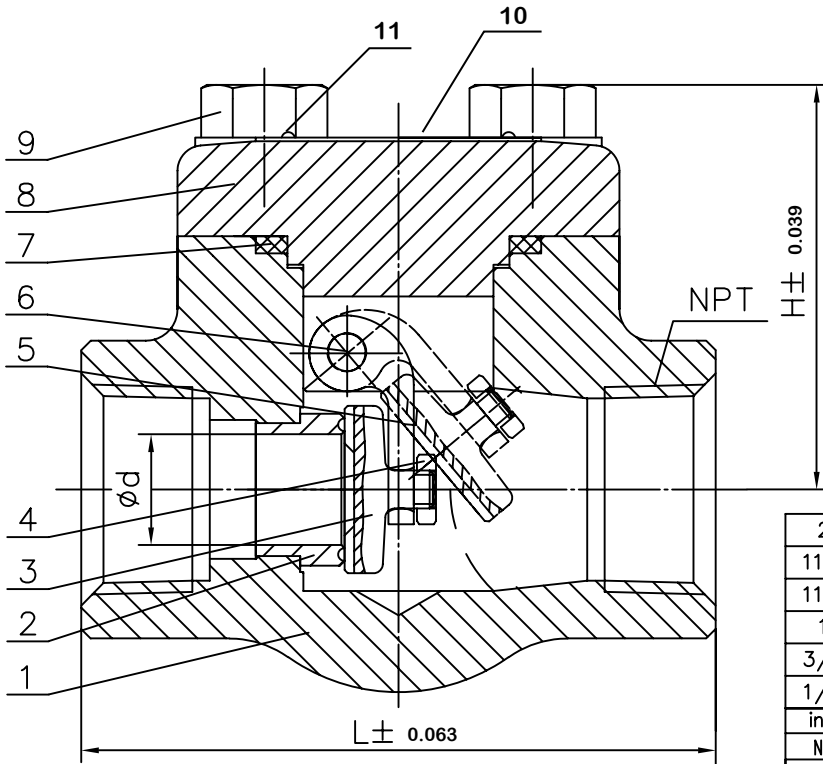
Technical Requirements

1. Design & manufacture conform to API 602
2. Test & inspect conform to API 598
3. Face to Face dimension conform to manufacturer's standard
4. SW ends coform to ASME B16.11

Forged Steel Swing Check Valve Class 1500 Conventional Port (NPT)

Figure Number: B3875XUT

Swing Check valve, Conventional Port,
Bolted Bonnet, NPT Ends



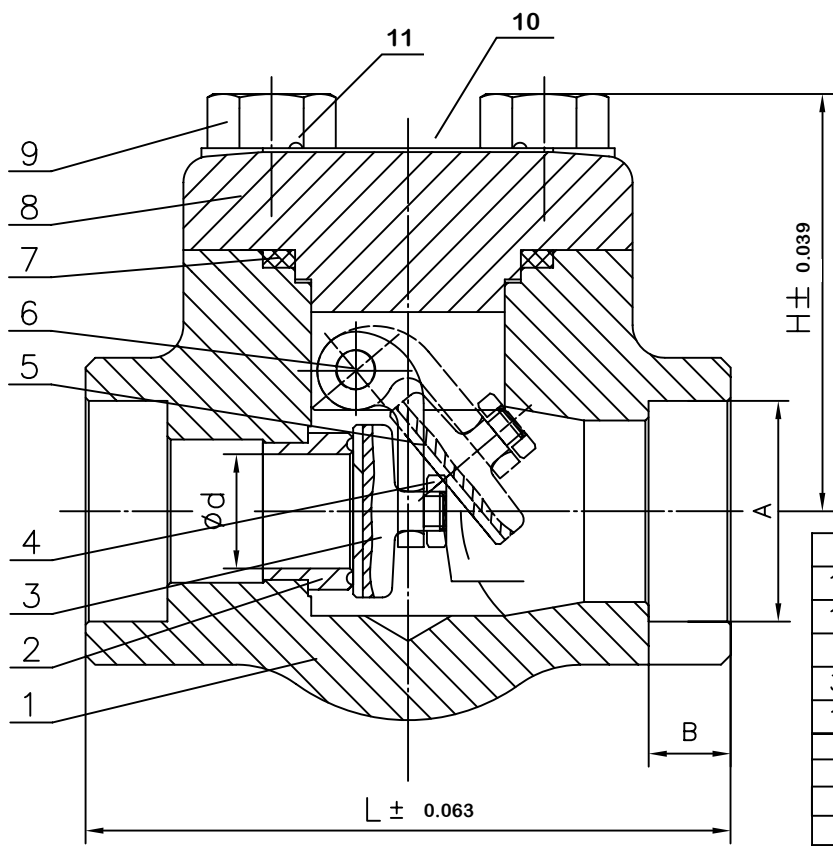
2	5.51	2	4.45	1.44				
1 1/2	5.12	1 1/2"	4.09	1.14				
1 1/4	4.72	1 1/4"	3.54	0.94				
1	4.49	1"	3.15	0.69				
3/4	3.94	3/4"	2.56	0.51				
1/2	3.94	1/2"	2.56	0.51				
inch								
NPS	L	NPT	H	d				
5	Arm	ASTM A351 CF8	10	Nameplate	11	Rivet		
4	Nut	ASTM A94 8	9	Bolt		ASTM A193 B7		
3	Disc	ASTM A276 420	8	Bonnet		ASTM A105N		
2	Seat	ASTM A276 410+316L	7	Gasket		304+Graphite		
1	Body	ASTM A105N	6	Pin		ASTM A276 304		
No.	Name	Material	No.	Name		Material		

Technical Requirements

1. Design & manufacture conform to API 602
2. Test & inspect conform to API 598
3. Face to Face dimension conform to manufacturer's standard
4. NPT ends conform to ASME B1.20.1

Forged Steel Swing Check Valve Class 1500 Conventional Port (Socket Weld)

Figure Number: B3875XUW
Swing Check valve, Conventional Port,
Bolted Bonnet, Socket Weld Ends



2	5.51	2.41	0.63	4.45	1.44			
1 1/2	5.12	1.92	0.50	4.09	1.14			
1 1/4	4.72	1.68	0.50	3.54	0.94			
1	4.49	1.33	0.50	3.15	0.69			
3/4	3.94	1.07	0.50	2.56	0.51			
1/2	3.94	0.86	0.38	2.56	0.51			
inch	L	A	B	H	d			
5	Arm	ASTM A351 CF8	10	Nameplate	11	Rivet		
4	Nut	ASTM A94 8	9	Bolt		ASTM A193 B7		
3	Disc	ASTM A276 420	8	Bonnet		ASTM A105N		
2	Seat	ASTM A276 410+STL	7	Gasket		304+Graphite		
1	Body	ASTM A105N	6	Pin		ASTM A276 304		
No.	Name	Material	No.	Name		Material		

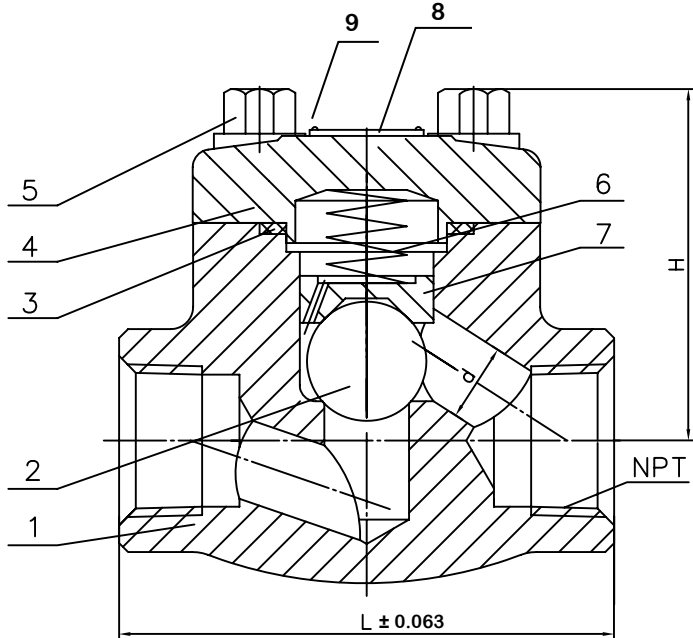
Technical Requirements

1. Design & manufacture conform to API 602
2. Test & inspect conform to API 598
3. Face to Face dimension conform to manufacturer's standard
4. SW ends conform to ASME B16.11

Forged Steel Ball Check Valve Class 800 Conventional Port (NPT)

Figure Number: B3673XUT

Ball Check valve, Conventional Port,
Bolted Bonnet, NPT Ends



2	6.30	2"	4.02	1.42				
1 1/2	5.71	1 1/2"	3.35	1.14				
1 1/4	4.49	1 1/4"	3.15	0.89				
1	3.94	1"	2.56	0.69				
3/4	3.15	3/4"	2.20	0.47				
1/2	2.87	1/2"	2.09	0.35				
3/8	2.87	3/8"	2.09	0.35				
1/4	2.87	1/4"	2.09	0.28				
inch								
NPS	L	NPT	H	d				
5	Bolt		ASTM A193 B7					
4	Bonnet		ASTM A105N		9	Rivet		
3	Gasket		304+Graphite		8	Nameplate		
2	Ball		ASTM A276 420		7	Ball seat		ASTM A276 410
1	Body		ASTM A105N+STL		6	Spring		SS304
No.	Name		Material		No.	Name		Material

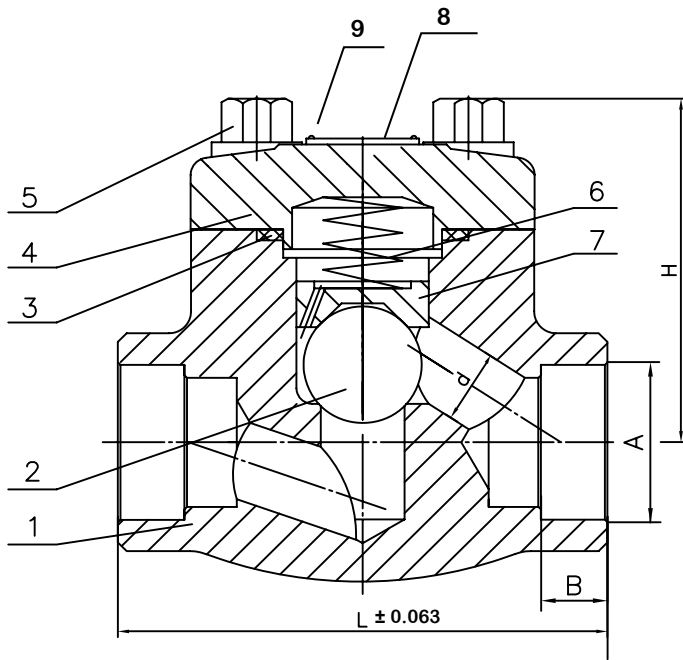
Technical Requirements

1. Design & manufacture conform to API 602
2. Test & inspect conform to API 598
3. Face to Face dimension conform to manufacturer's standard
4. NPT ends conform to ASME B1.20.1

Forged Steel Ball Check Valve Class 800 Conventional Port (Socket Weld)

Figure Number: B3673XUW

Ball Check valve, Conventional Port,
Bolted Bonnet, Socket Weld Ends



2	6.30	2.41	0.63	4.02	1.42			
1 1/2	5.71	1.92	0.50	3.35	1.14			
1 1/4	4.49	1.68	0.50	3.15	0.89			
1	3.94	1.33	0.50	2.56	0.69			
3/4	3.15	1.07	0.50	2.20	0.47			
1/2	2.87	0.86	0.38	2.09	0.35			
3/8	2.87	0.69	0.38	2.09	0.35			
1/4	2.87	0.56	0.38	2.09	0.28			
inch								
NPS	L	A	B	H	d			
5	Bolt		ASTM A193 B7					
4	Bonnet		ASTM A105N		9	Rivet		
3	Gasket		304+Graphite		8	Nameplate		
2	Ball		ASTM A276 420		7	Ball seat	ASTM A276 410	
1	Body		ASTM A105N+STL		6	Spring	SS304	
No.	Name		Material		No.	Name		Material

Technical Requirements

1. Design & manufacture conform to API 602
2. Test & inspect conform to API 598
3. Face to Face dimension conform to manufacturer's standard
4. SW ends coform to ASME B16.11

Pressure Temperature and Performance Standards

A105N Forged Steel GGC Valves

Temperature F	Max Pressure (PSI)	
	800# Valves	1500 # Valves
-20 to 100	1975	3705
200	1810	3395
300	1745	3270
400	1690	3170
500	1610	3015
600	1515	2840
650	1465	2745
700	1415	2665
750	1350	2535
800*	1100	2055

Temperature C	Max Pressure (MPa)	
	800# Valves	1500# Valves
-29 to 38	13.62	25.53
50	13.37	25.06
100	12.43	23.3
150	12.02	22.54
200	11.68	21.9
250	11.18	20.9
300	10.62	19.91
325	10.32	19.36
350	10.02	18.78
375	9.7	18.18
400	9.26	17.36
425*	7.67	14.38

* Max Temperature is 800 °F (425 °C)

Performance Standard		
Class 800		
Minimum Test Pressure (MPa)	Shell Test	20.5
	Back Seat Test*	14.9
	Seal Test	14.9
*Not Applicable To Check Valves		

Performance Standard		
Class 1500		
Minimum Test Pressure (MPa)	Shell Test	38.3
	Back Seat Test*	28.0
	Seal Test	28.0
*Not Applicable To Check Valves		

CRANE

CRANE ChemPharma & Energy
CRANE Energy Global Headquarters
4526 Research Forest Drive, Suite 400
The Woodlands, Texas 77381 U.S.A.
Tel.: (1) 936-271-6500
Fax.: (1) 936-271-6510
www.cranecpe.com

CRANE

CRANE Cast Steel Customer Service
2129 3rd Avenue, S.E.
Cullman, Alabama 35055
Tel.: (1) 256-775-3800
Fax.: (1) 256-775-3860



brands you trust.



COMPAC-NOZ



DEPA

ELRO

DUO-CHEK



NOZ-CHEK



RESISTOFLEX



Saunders
the science inside

STOCKHAM



UNI-CHEK

w.ta

XOMOX

CP_EG-FORGED STEEL- TD-EN-L15-9-2013-16-2013

Crane Co., and its subsidiaries cannot accept responsibility for possible errors in catalogues, brochures, other printed materials, and website information. Crane Co. reserves the right to alter its products without notice, including products already on order provided that such alteration can be made without changes being necessary in specifications already agreed. All trademarks in this material are property of the Crane Co. or its subsidiaries. The Crane and Crane brands logotype, in alphabetical order, (ALOYCO®, CENTER LINE®, COMPAC-NOZ®, CRANE®, DEPA® & ELRO®, DUO-CHEK®, FLOWSEAL®, JENKINS®, KROMBACH®, NOZ-CHEK®, PACIFIC®, RESISTOFLEX®, REVO®, SAUNDERS®, STOCKHAM®, TRIANGLE®, UNI-CHEK®, VALVES®, WTA®, and XOMOX®) are registered trademarks of Crane Co. All rights reserved.